



REF.
DATE

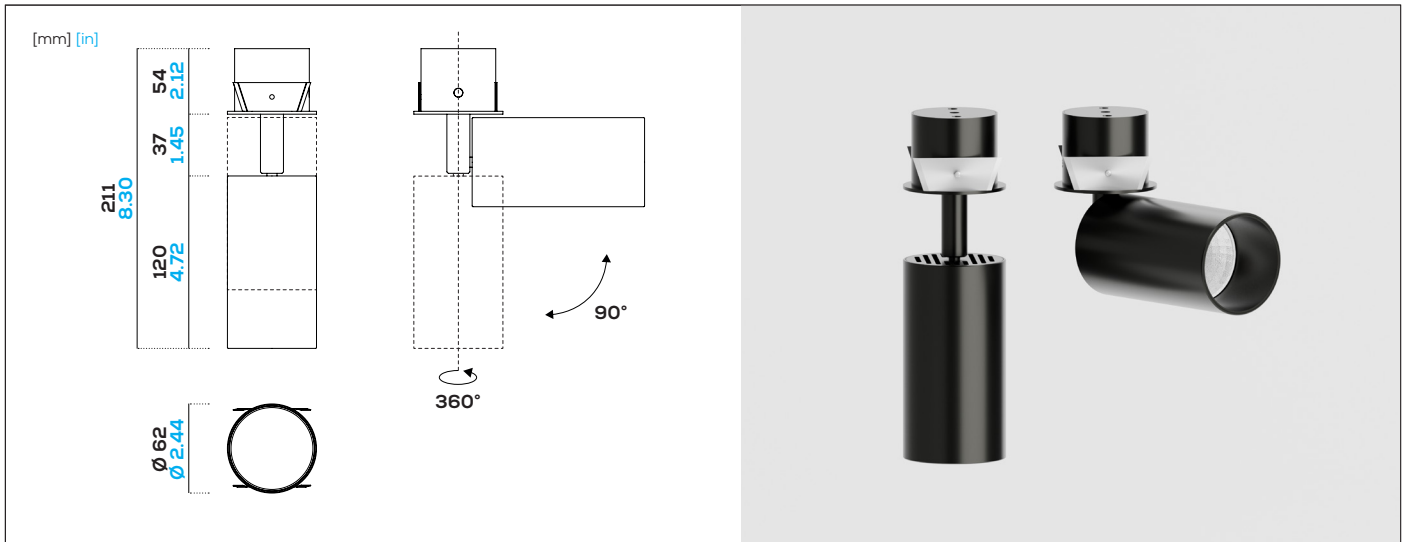
For each item select the request option

1

BOLD.62_adj_TR_snap in

FOLIO®

Product type	Quantity	<input type="checkbox"/> 1 CCT	<input type="checkbox"/> 2 Lens	<input type="checkbox"/> 3 Dimmerability	<input type="checkbox"/> 4 Aluminum finish	<input type="checkbox"/> 5 Accessories
BOLD.62						



GENERAL SPECS.

Weight:	0,65 kg
Movement:	Adjustable: 360° rotation, 0-90° tilt
IP:	20

The Spot.Mate system is a highly versatile range of spotlights, designed to meet the most diverse architectural and lighting needs. Available in four sizes, the spotlights can be installed on various surfaces, offering multiple features and movement possibilities. Each product is entirely customizable in various aspects to perfectly suit any specific project.



LIGHT SOURCE

LED type:	Nichia
LED Amperage:	350 mA
LED Duration:	50 000 h.
Power:	12 W
Delivered Lumen:	1150 lm
Efficacy:	95.8 lm/W
Candela:	
CRI:	> 90
R9:	> 50
TM30:	Rf: 98 Rg: 99
SDCM:	3
Color Temperature (CCT):	<input type="checkbox"/> 2700K <input type="checkbox"/> 3000K <input type="checkbox"/> 3500K <input type="checkbox"/> 4000K <input type="checkbox"/> on request: 2000K, 2200K, 2500K, 5000K

OPTICS

Optic Type:	lens
Beam Angle (BA°)	<input type="checkbox"/> 12° <input type="checkbox"/> 35° <input type="checkbox"/> 55° <input type="checkbox"/> costum on request

ELECTRICAL

Voltage:	48V DC (Constant Voltage)
Class:	Class 3 48V
Driver:	DC/DC 48 V
Output current:	350 mA
Dimmerability:	<input type="checkbox"/> 0-10 V <input type="checkbox"/> 1-10 V <input type="checkbox"/> DALI <input type="checkbox"/> DMX <input type="checkbox"/> Bluetooth <input type="checkbox"/> PUSH

Images / 3D / sections and the relative details shown in the following pages are generic and indicative. The number and position of the fixing points and fasteners may change during the production phase. The type, quantity and position of the Folio panels' power cables are indicative.



REF.
DATE

For each item select the request option

BOLD.62_adj_TR_snap in



Product type	Quantity	<input type="checkbox"/> 1 CCT	<input type="checkbox"/> 2 Lens	<input type="checkbox"/> 3 Dimmerability	<input type="checkbox"/> 4 Aluminum finish	<input type="checkbox"/> 5 Accessories
BOLD.62						

ALUMINIUM FINISHES

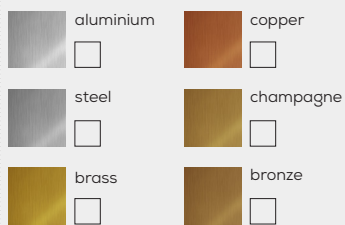
4

RAL/NCS/Pantone:

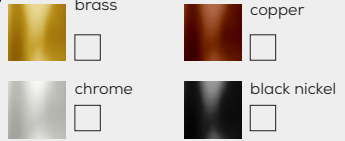
Polished finish:



Brushed finish:



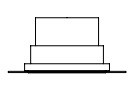
Galvanic finish:



ACCESSORIES

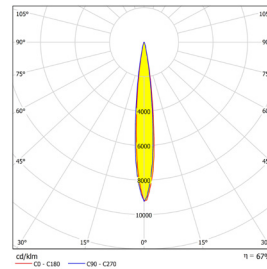
5

Honeycomb Snoot Trimless Kit

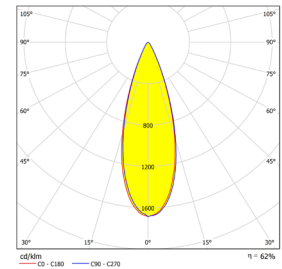


LENS INFO

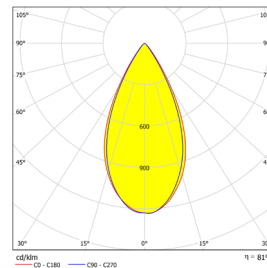
Beam Angle (BA°): 12°



Beam Angle (BA°): 35°



Beam Angle (BA°): 55°



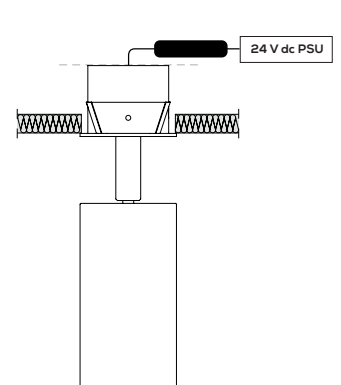
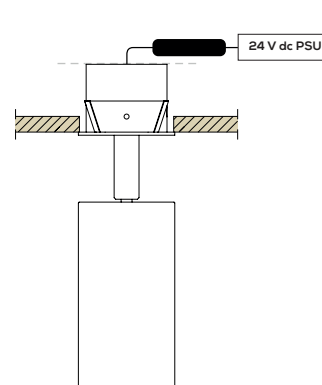
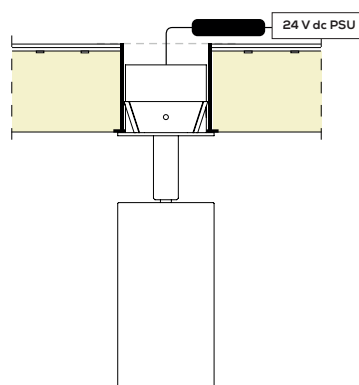
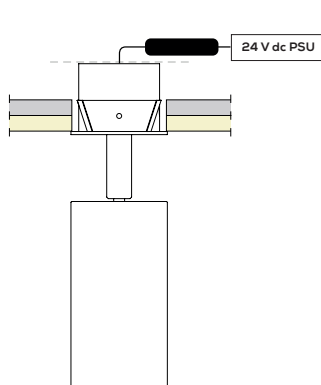
APPLICATIONS

Folio Opal

Folio Zero

Forniture

Drywall



Cut out: 62 mm / 24.4 in



Clear volume: 60 mm / 23.62 in



Cut out: 62 mm / 24.4 in



Clear volume: 60 mm / 23.62 in



Cut out: 62 mm / 24.4 in



Clear volume: 60 mm / 23.62 in



Cut out: 62 mm / 24.4 in



Clear volume: 60 mm / 23.62 in



Images / 3D / sections and the relative details shown in the following pages are generic and indicative. The number and position of the fixing points and fasteners may change during the production phase. The type, quantity and position of the Folio panels' power cables are indicative.



REF.
DATE

For each item select the request option

3

BOLD.62_adj_TR_snap in

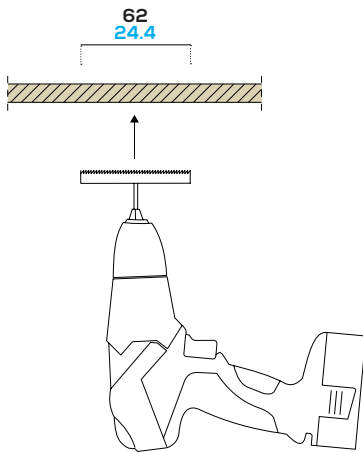


Product type	Quantity	1 CCT	2 Lens	3 Dimmerability	4 Aluminum finish	5 Accessories
BOLD.62						

MOUNTING INSTRUCTION

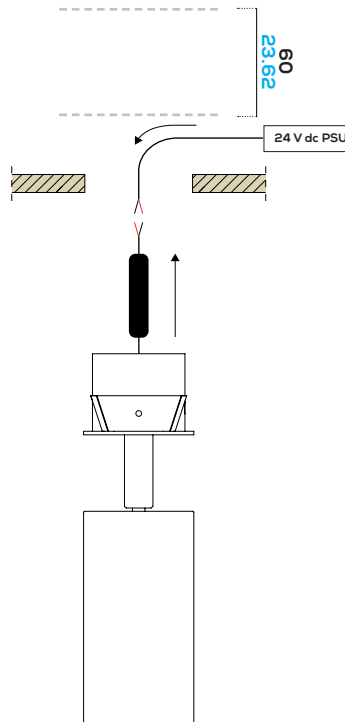
STEP 1: Hole preparation

Folio Opal: Pre-drilled (no action required).
Drywall / Furniture: Drill \varnothing 62mm hole.



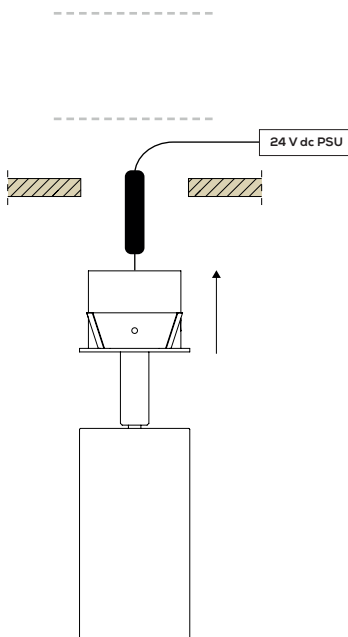
STEP 2: Cable connection

Pull down the **24V DC** cable through the hole and pull up the spot. Connect the two parts.



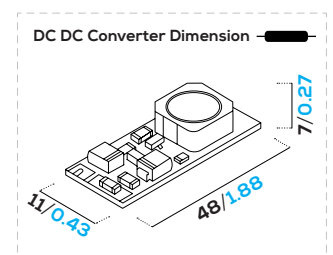
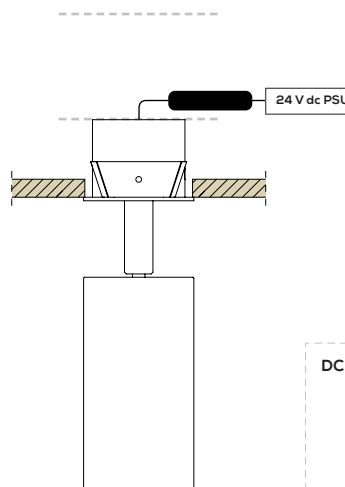
STEP 3: Spot Insertion

Push the spot upward into the hole.



STEP 4: Installation

Once fully inserted, the spotlight is ready for use.



Images / 3D / sections and the relative details shown in the following pages are generic and indicative. The number and position of the fixing points and fasteners may change during the production phase. The type, quantity and position of the Folio panels' power cables are indicative.



REF.
DATE

For each item select the request option

4

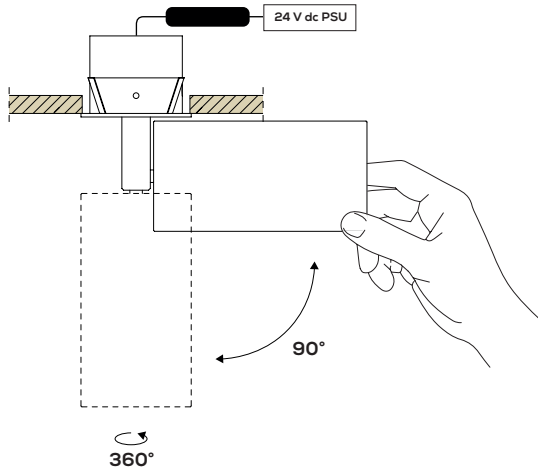
BOLD.62_adj_TR_snap in



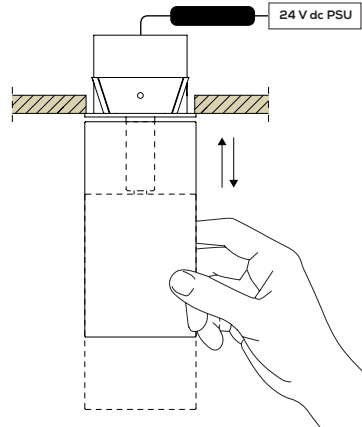
Product type	Quantity	1 CCT	2 Lens	3 Dimmerability	4 Aluminum finish	5 Accessories
BOLD.62						

FEATURES

360° rotation, 0-90° tilt



Snap in - Snap out



Images / 3D / sections and the relative details shown in the following pages are generic and indicative. The number and position of the fixing points and fasteners may change during the production phase. The type, quantity and position of the Folio panels' power cables are indicative.