



REF.
DATE

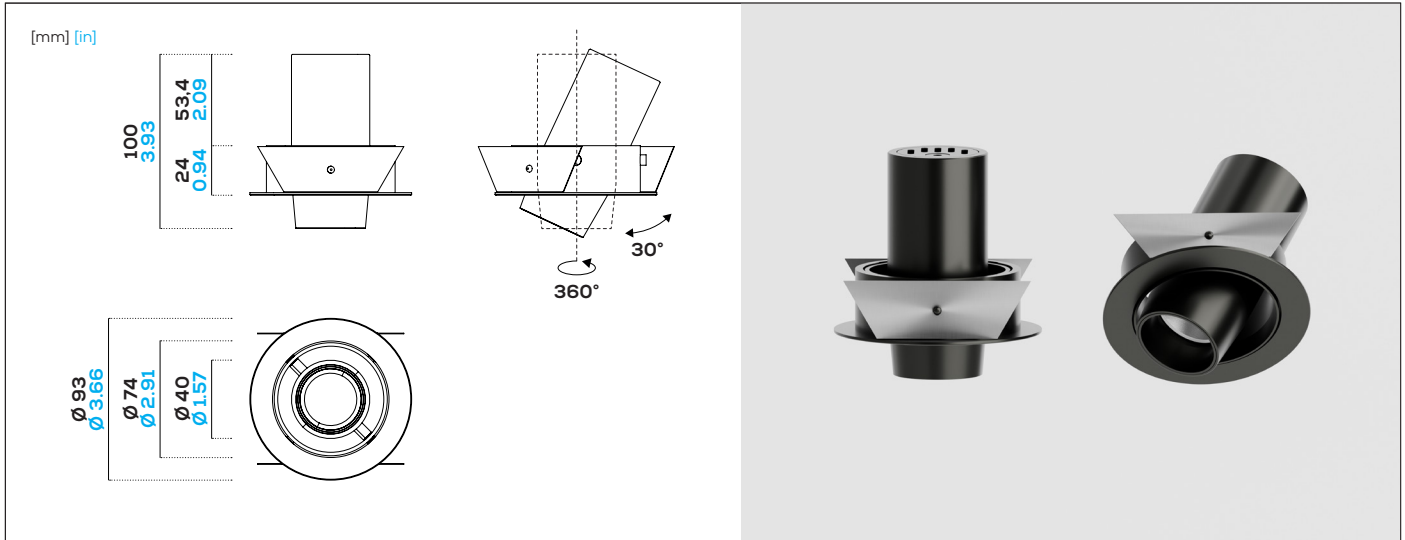
For each item select the request option

30

MIDI.40_tilt_TR

FOLIO®

Product type	Quantity	<input type="checkbox"/> 1 CCT	<input type="checkbox"/> 2 Lens	<input type="checkbox"/> 3 Dimmerability	<input type="checkbox"/> 4 Aluminum finish	<input type="checkbox"/> 5 Accessories
MIDI.40						



GENERAL SPECS.

Weight:	0,35 kg
Movement:	Adjustable: 360° rotation, 0-30° tilt
IP:	20

The Spot.Mate system is a highly versatile range of spotlights, designed to meet the most diverse architectural and lighting needs. Available in four sizes, the spotlights can be installed on various surfaces, offering multiple features and movement possibilities. Each product is entirely customizable in various aspects to perfectly suit any specific project.



LIGHT SOURCE

LED type:	Nichia
LED Amperage:	500 mA
LED Duration:	50 000 h.
Power:	6.1 W
Delivered Lumen:	650 lm
Efficacy:	106.5 lm/W
Candela:	
CRI:	> 90
R9:	> 50
TM30:	Rf: 91 Rg: 100
SDCM:	2
Color Temperature (CCT):	<input type="checkbox"/> 2700K <input type="checkbox"/> 3000K <input type="checkbox"/> 3500K <input type="checkbox"/> 4000K <input type="checkbox"/> on request: 2000K, 2200K, 2500K, 5000K

OPTICS

Optic Type:	lens
Beam Angle (BA°)	<input type="checkbox"/> 12° <input type="checkbox"/> 19° <input type="checkbox"/> 25° <input type="checkbox"/> costum on request

ELECTRICAL

Voltage:	24V DC (Constant Voltage)
Class:	Class 3 24V
Driver:	DC/DC 24 V
Output current:	500 mA
Dimmerability:	<input type="checkbox"/> 0-10 V <input type="checkbox"/> 1-10 V <input type="checkbox"/> DALI <input type="checkbox"/> DMX <input type="checkbox"/> Bluetooth <input type="checkbox"/> PUSH

Images / 3D / sections and the relative details shown in the following pages are generic and indicative. The number and position of the fixing points and fasteners may change during the production phase. The type, quantity and position of the Folio panels' power cables are indicative.



REF.
DATE

For each item select the request option

MIDI.40_tilt_TR



Product type	Quantity	<input type="checkbox"/> 1 CCT	<input type="checkbox"/> 2 Lens	<input type="checkbox"/> 3 Dimmerability	<input type="checkbox"/> 4 Aluminum finish	<input type="checkbox"/> 5 Accessories
MIDI.40						

ALUMINIUM FINISHES

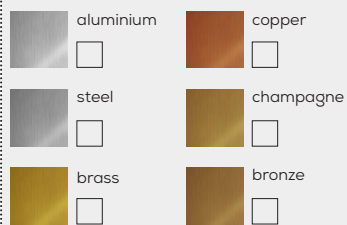
4

RAL/NCS/Pantone:

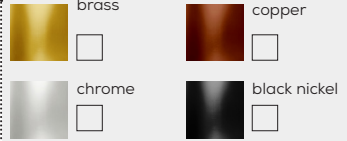
Polished finish:



Brushed finish:



Galvanic finish:



ACCESSORIES

5

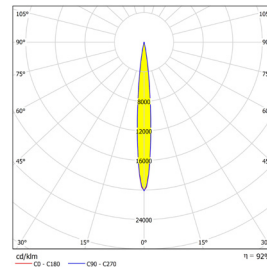
Honeycomb

Snoot

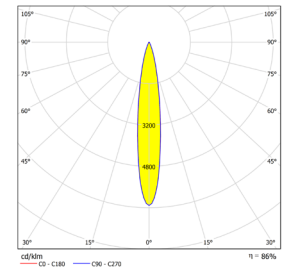


LENS INFO

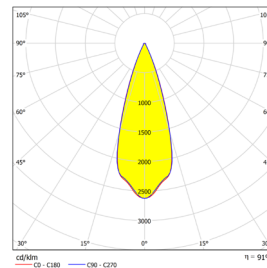
Beam Angle (BA°): 12°



Beam Angle (BA°): 19°



Beam Angle (BA°): 25°



APPLICATIONS

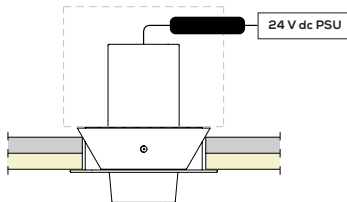
Folio Opal



Furniture



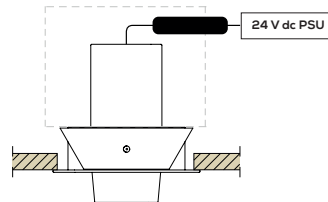
Drywall



Cut out: \varnothing 85 mm / \varnothing 3.34 in



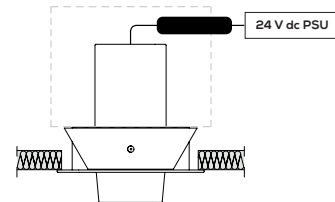
Clear volume: 75x100 mm / 2.95x3.93 in



Cut out: \varnothing 85 mm / \varnothing 3.34 in



Clear volume: 75x100 mm / 2.95x3.93 in



Cut out: \varnothing 85 mm / \varnothing 3.34 in



Clear volume: 75x100 mm / 2.95x3.93 in

Images / 3D / sections and the relative details shown in the following pages are generic and indicative. The number and position of the fixing points and fasteners may change during the production phase. The type, quantity and position of the Folio panels' power cables are indicative.



REF.
DATE

For each item select the request option

32

MIDI.40_tilt_TR

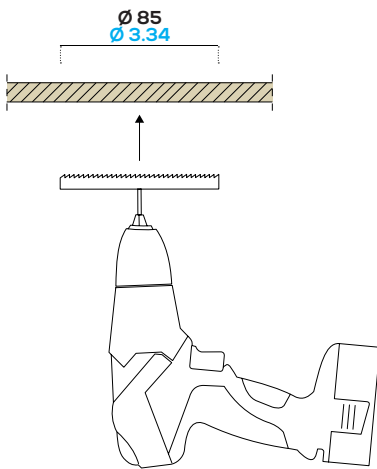
FOLIO®

Product type	Quantity	1 CCT	2 Lens	3 Dimmerability	4 Aluminum finish	5 Accessories
MIDI.40						

MOUNTING INSTRUCTION

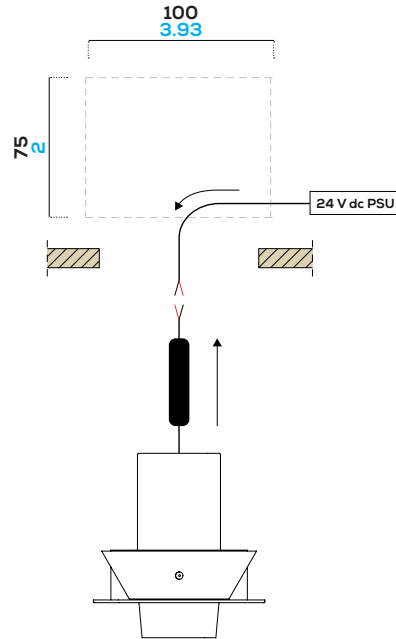
STEP 1: Hole Preparation

Make a $\varnothing 85$ mm hole.



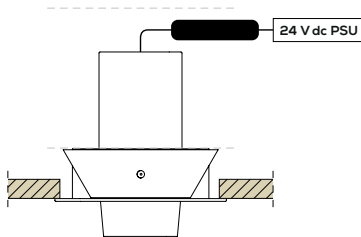
STEP 2: Bracket fixing

Ensure a min. **75x100 mm** internal height. Screw the mounting bracket to the drywall and pull the 24V DC cable through.



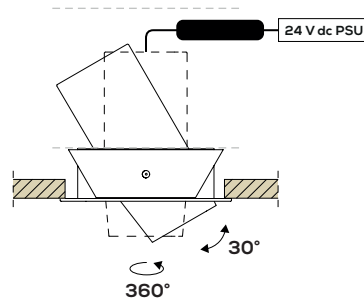
STEP 3: Installation

Push the spot upward into the hole. Once fully inserted, the spotlight is now ready for use.

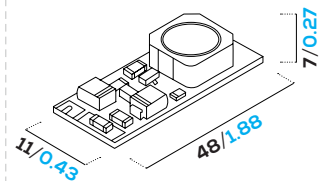


FEATURES

360° rotation, 0-30° tilt



DC DC Converter Dimension



Images / 3D / sections and the relative details shown in the following pages are generic and indicative. The number and position of the fixing points and fasteners may change during the production phase. The type, quantity and position of the Folio panels' power cables are indicative.