



REF.
DATE

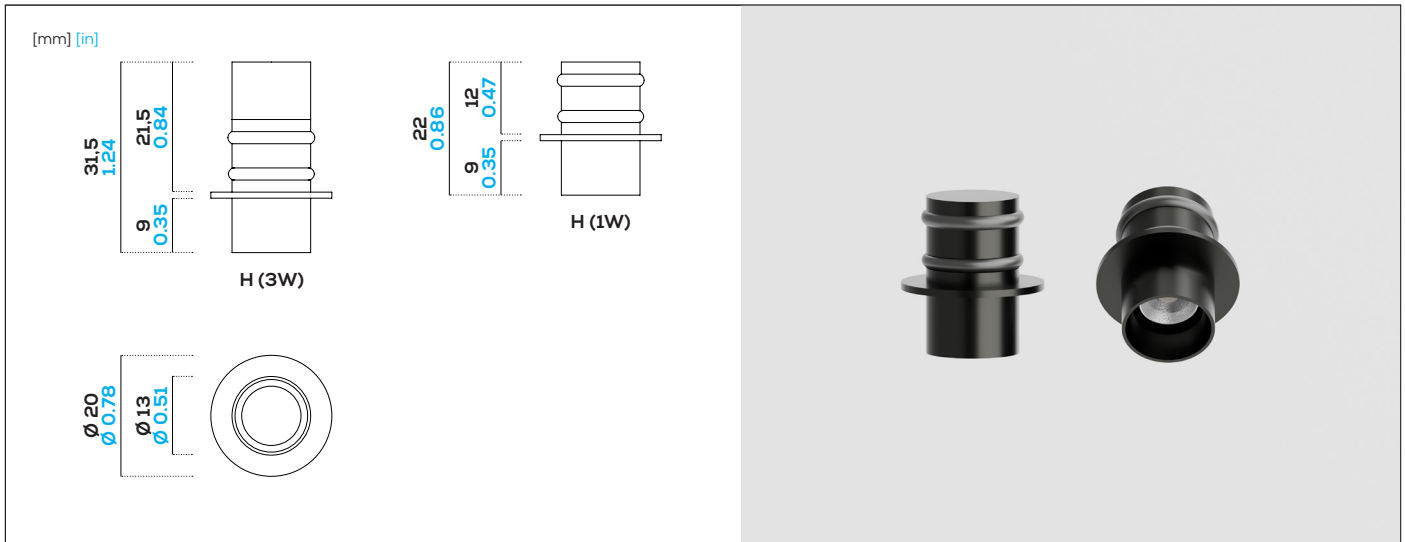
For each item select the request option

4

THIN.15_fix_TR

FOLIO®

Product type	Quantity	<input type="checkbox"/> 1 CCT	<input type="checkbox"/> 2 Lens	<input type="checkbox"/> 3 Dimmerability	<input type="checkbox"/> 4 Aluminum finish	<input type="checkbox"/> 5 Accessories
THIN.15						



GENERAL SPECS.

Weight:	0,01 kg / 0,02 kg
Movement:	Fix
IP:	20

The Spot.Mate system is a highly versatile range of spotlights, designed to meet the most diverse architectural and lighting needs. Available in four sizes, the spotlights can be installed on various surfaces, offering multiple features and movement possibilities. Each product is entirely customizable in various aspects to perfectly suit any specific project.



LIGHT SOURCE

LED type:	Nichia
LED Amperage:	500 mA
LED Duration:	50 000 h.
Power:	1.5 W
Delivered Lumen:	145 lm
Efficacy:	96.6 lm/W
Candela:	
CRI:	> 90
R9:	> 80
TM30:	Rf: 91 Rg: 100
SDCM:	2
Color Temperature (CCT):	<input type="checkbox"/> 2700K <input type="checkbox"/> 3000K <input type="checkbox"/> 3500K <input type="checkbox"/> 4000K <input type="checkbox"/> on request: 2000K, 2200K, 2500K, 5000K

OPTICS

Optic Type:	lens
Beam Angle (BA°)	<input type="checkbox"/> 15° <input type="checkbox"/> 25° <input type="checkbox"/> 35° <input type="checkbox"/> costum on request

ELECTRICAL

Voltage:	24V DC (Constant Voltage)
Class:	Class 3 24V
Driver:	DC/DC 24 V
Output current:	500 mA
Dimmerability:	<input type="checkbox"/> 0-10 V <input type="checkbox"/> 1-10 V <input type="checkbox"/> DALI <input type="checkbox"/> DMX <input type="checkbox"/> Bluetooth <input type="checkbox"/> PUSH

Images / 3D / sections and the relative details shown in the following pages are generic and indicative. The number and position of the fixing points and fasteners may change during the production phase. The type, quantity and position of the Folio panels' power cables are indicative.



REF.
DATE

For each item select the request option

5

THIN.15_fix_TR



Product type	Quantity	<input type="checkbox"/> 1 CCT	<input type="checkbox"/> 2 Lens	<input type="checkbox"/> 3 Dimmerability	<input type="checkbox"/> 4 Aluminum finish	<input type="checkbox"/> 5 Accessories
THIN.15						

ALUMINIUM FINISHES

4

RAL/NCS/Pantone:

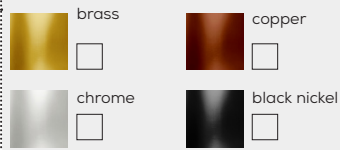
Polished finish:



Brushed finish:



Galvanic finish:



ACCESSORIES

5

Honeycomb

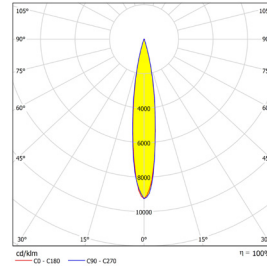
Snoot

Spring Kit

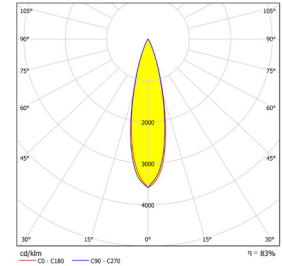


LENS INFO

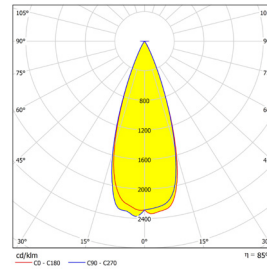
Beam Angle (BA°): 12°



Beam Angle (BA°): 25°

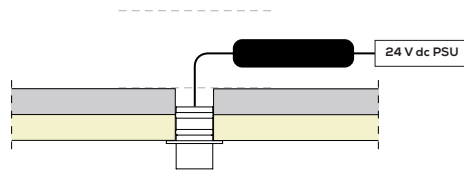


Beam Angle (BA°): 35°



APPLICATIONS

Folio Opal



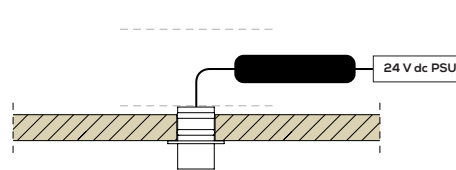
Cut out: 14.5 mm / 5.71 in



Clear volume: 30 mm / 11.81 in



Forniture



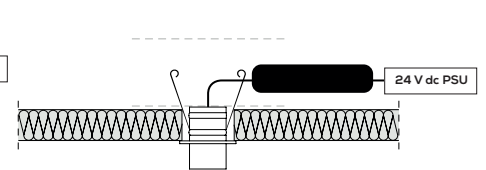
Cut out: 14.5 mm / 5.71 in



Clear volume: 30 mm / 11.81 in



Drywall



Cut out: 14.5 mm / 5.71 in



Clear volume: 30 mm / 11.81 in



Images / 3D / sections and the relative details shown in the following pages are generic and indicative. The number and position of the fixing points and fasteners may change during the production phase. The type, quantity and position of the Folio panels' power cables are indicative.



REF.
DATE

For each item select the request option

THIN.15_fix_TR

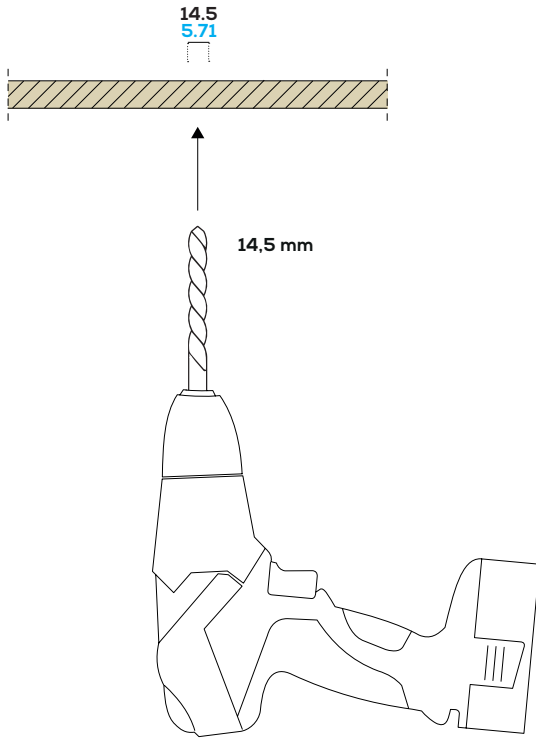


Product type	Quantity	1 CCT	2 Lens	3 Dimmerability	4 Aluminum finish	5 Accessories
THIN.15						

MOUNTING INSTRUCTION

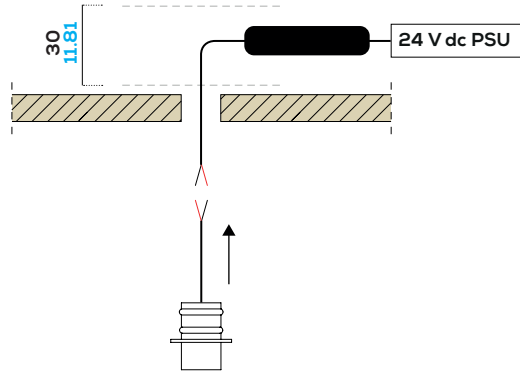
STEP 1: Hole preparation

Folio Opal: Pre-drilled (no action required).
Drywall / Furniture: Drill $\varnothing 14.5$ mm hole.



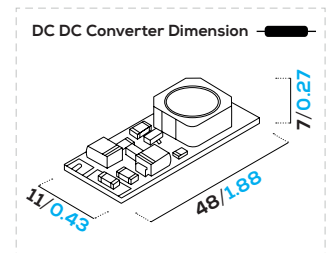
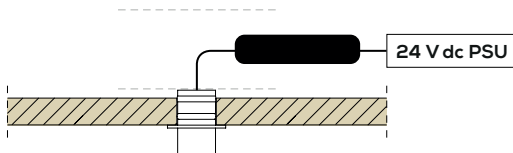
STEP 2: Cable connection

Pull up the spot with the cable and connect it to the **24V DC** cable.



STEP 3: Spot Insertion

Push the spot upward into the hole.
The O-Ring will prevent the spotlight from falling.



Images / 3D / sections and the relative details shown in the following pages are generic and indicative. The number and position of the fixing points and fasteners may change during the production phase. The type, quantity and position of the Folio panels' power cables are indicative.