



REF.  
DATE

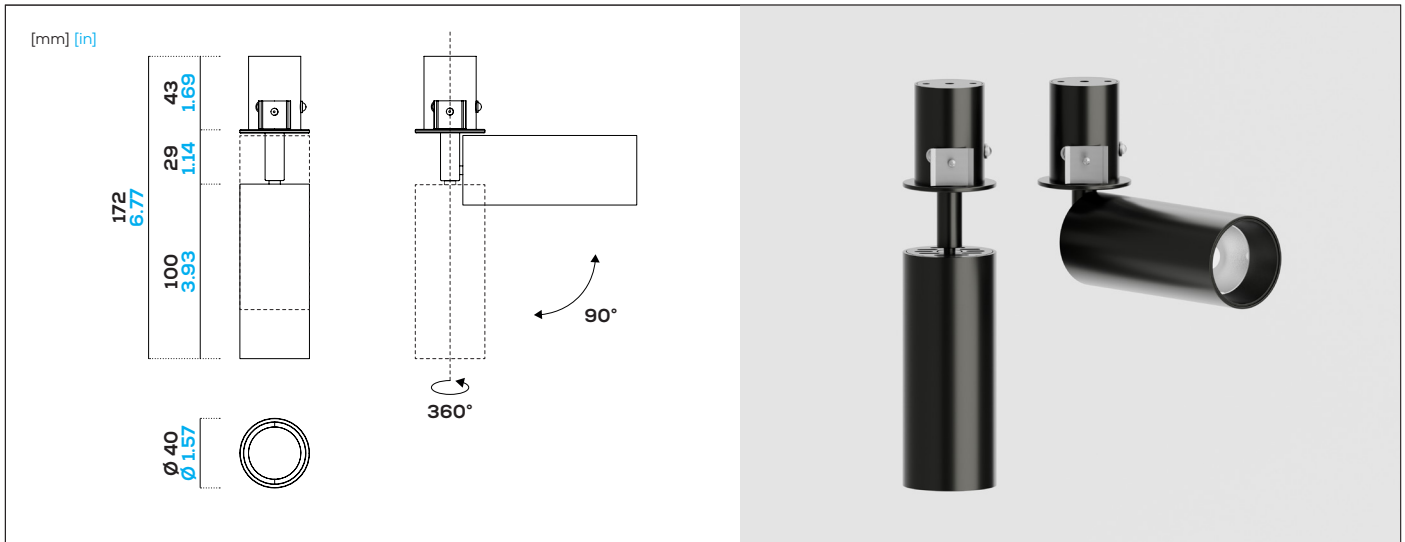
For each item select the request option

1

# MIDI.40\_adj\_TR\_snap in

FOLIO®

Product type	Quantity	1 CCT	2 Lens	3 Dimmerability	4 Aluminum finish	5 Accessories
MIDI.40						



## GENERAL SPECS.

Weight:	0,27 kg
Movement:	Adjustable: 360° rotation, 0-90° tilt
IP:	20

The Spot.Mate system is a highly versatile range of spotlights, designed to meet the most diverse architectural and lighting needs. Available in four sizes, the spotlights can be installed on various surfaces, offering multiple features and movement possibilities. Each product is entirely customizable in various aspects to perfectly suit any specific project.



## LIGHT SOURCE

LED type:	Nichia
LED Amperage:	500 mA
LED Duration:	50 000 h.
Power:	6.1 W
Delivered Lumen:	650 lm
Efficacy:	106.5 lm/W
Candela:	
CRI:	> 90
R9:	> 50
TM30:	Rf: 91 Rg: 100
SDCM:	2
Color Temperature (CCT):	<input type="checkbox"/> 2700K <input type="checkbox"/> 3000K <input type="checkbox"/> 3500K <input type="checkbox"/> 4000K <input type="checkbox"/> on request: 2000K, 2200K, 2500K, 5000K

## OPTICS

Optic Type:	lens
Beam Angle (BA°)	<input type="checkbox"/> 12° <input checked="" type="checkbox"/> 19° <input type="checkbox"/> 25° <input type="checkbox"/> costum on request

## ELECTRICAL

Voltage:	24V DC (Constant Voltage)
Class:	Class 3 24V
Driver:	DC/DC 24 V
Output current:	500 mA
Dimmerability:	<input type="checkbox"/> 0-10 V <input type="checkbox"/> 1-10 V <input type="checkbox"/> DALI <input type="checkbox"/> DMX <input type="checkbox"/> Bluetooth <input type="checkbox"/> PUSH

Images / 3D / sections and the relative details shown in the following pages are generic and indicative. The number and position of the fixing points and fasteners may change during the production phase. The type, quantity and position of the Folio panels' power cables are indicative.



REF.  
DATE

For each item select the request option

# MIDI.40\_adj\_TR\_snap in



Product type	Quantity	1 CCT	2 Lens	3 Dimmerability	4 Aluminum finish	5 Accessories
MIDI.40						

## ALUMINIUM FINISHES

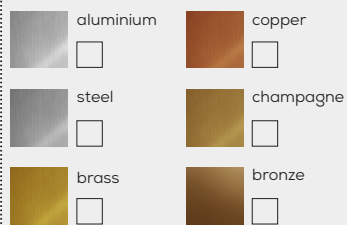
4

RAL/NCS/Pantone:

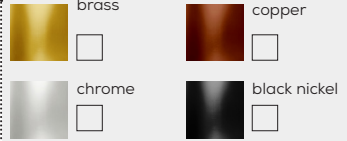
Polished finish:



Brushed finish:



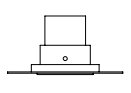
Galvanic finish:



## ACCESSORIES

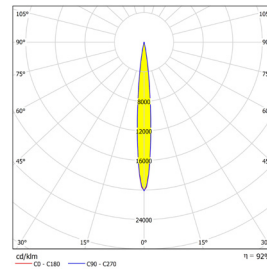
5

Honeycomb  Snoot  Trimless Kit

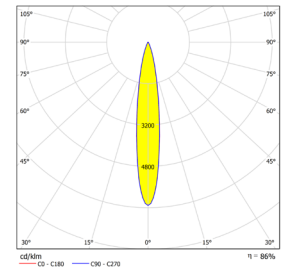


## LENS INFO

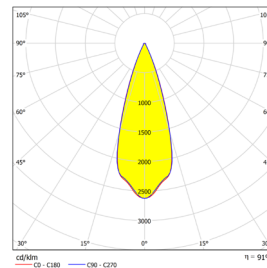
Beam Angle (BA°): 12°



Beam Angle (BA°): 19°

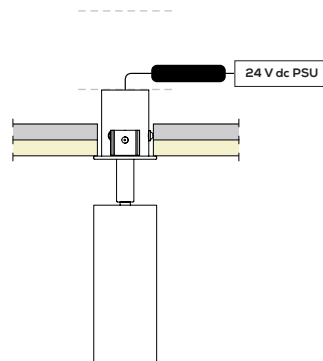


Beam Angle (BA°): 25°



## APPLICATIONS

Folio Opal

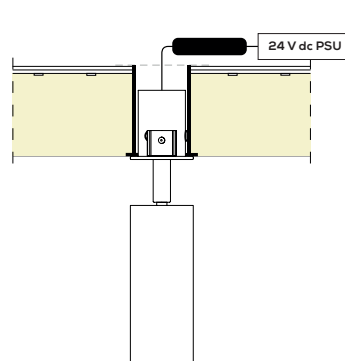


Cut out:  $\varnothing$  35 mm /  $\varnothing$  1.37 in



Clear volume: 50 mm / 1.96 in

Folio Zero

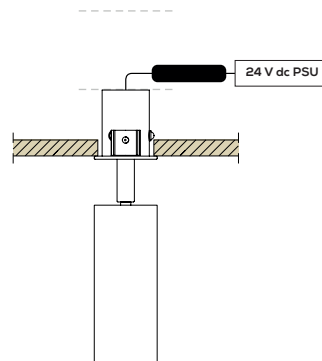


Cut out:  $\varnothing$  35 mm /  $\varnothing$  1.37 in



Clear volume: 50 mm / 1.96 in

Forniture

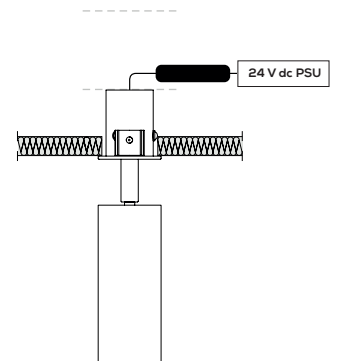


Cut out:  $\varnothing$  35 mm /  $\varnothing$  1.37 in



Clear volume: 50 mm / 1.96 in

Drywall



Cut out:  $\varnothing$  35 mm /  $\varnothing$  1.37 in



Clear volume: 50 mm / 1.96 in

Images / 3D / sections and the relative details shown in the following pages are generic and indicative. The number and position of the fixing points and fasteners may change during the production phase. The type, quantity and position of the Folio panels' power cables are indicative.



REF.  
DATE

For each item select the request option

3

# MIDI.40\_adj\_TR\_snap in

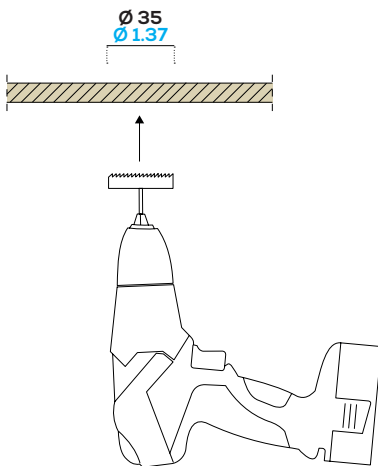


Product type	Quantity	1 CCT	2 Lens	3 Dimmerability	4 Aluminum finish	5 Accessories
MIDI.40						

## MOUNTING INSTRUCTION

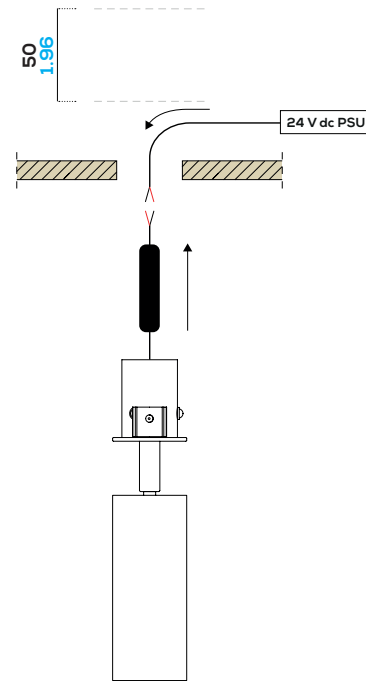
### STEP 1: Hole Preparation

**Folio Opal:** Pre-drilled (no action required).  
**Drywall / Furniture:** Drill  $\varnothing 35$ mm hole.



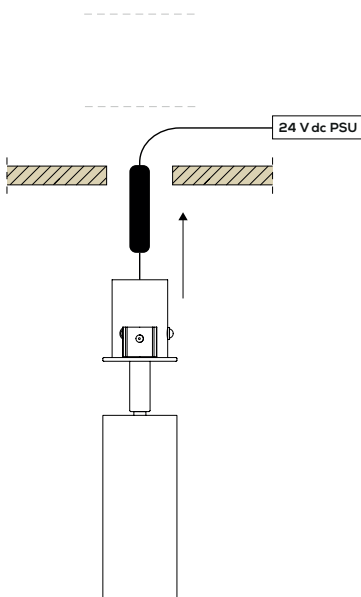
### STEP 2: Cable connection

Ensure a min. **50 mm** internal height. Pull down the **24V DC** cable through the hole and pull up the spot. Connect the two parts.



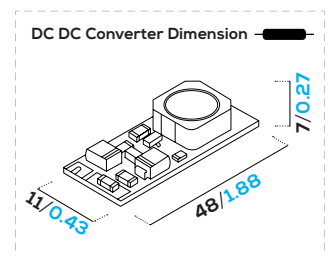
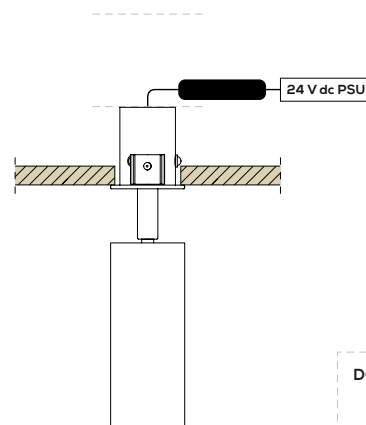
### STEP 3: Spot Insertion

Push the spot upward into the hole.



### STEP 4: Installation

Once fully inserted, ensure the trim is flush with the surface. The spotlight is now ready for use.



Images / 3D / sections and the relative details shown in the following pages are generic and indicative. The number and position of the fixing points and fasteners may change during the production phase. The type, quantity and position of the Folio panels' power cables are indicative.



REF.  
DATE

For each item select the request option

4

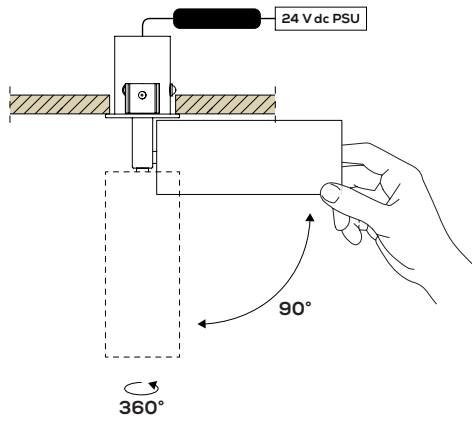
# MIDI.40\_adj\_TR\_snap in

FOLIO®

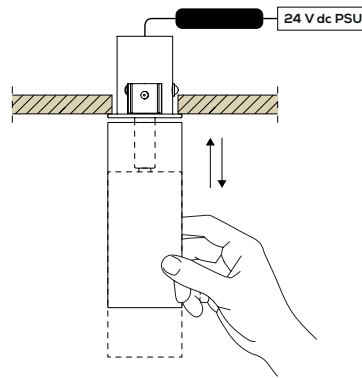
Product type	Quantity	1 CCT	2 Lens	3 Dimmerability	4 Aluminum finish	5 Accessories
MIDI.40						

## FEATURES

360° rotation, 0-90° tilt



Snap in - Snap out



Images / 3D / sections and the relative details shown in the following pages are generic and indicative. The number and position of the fixing points and fasteners may change during the production phase. The type, quantity and position of the Folio panels' power cables are indicative.