



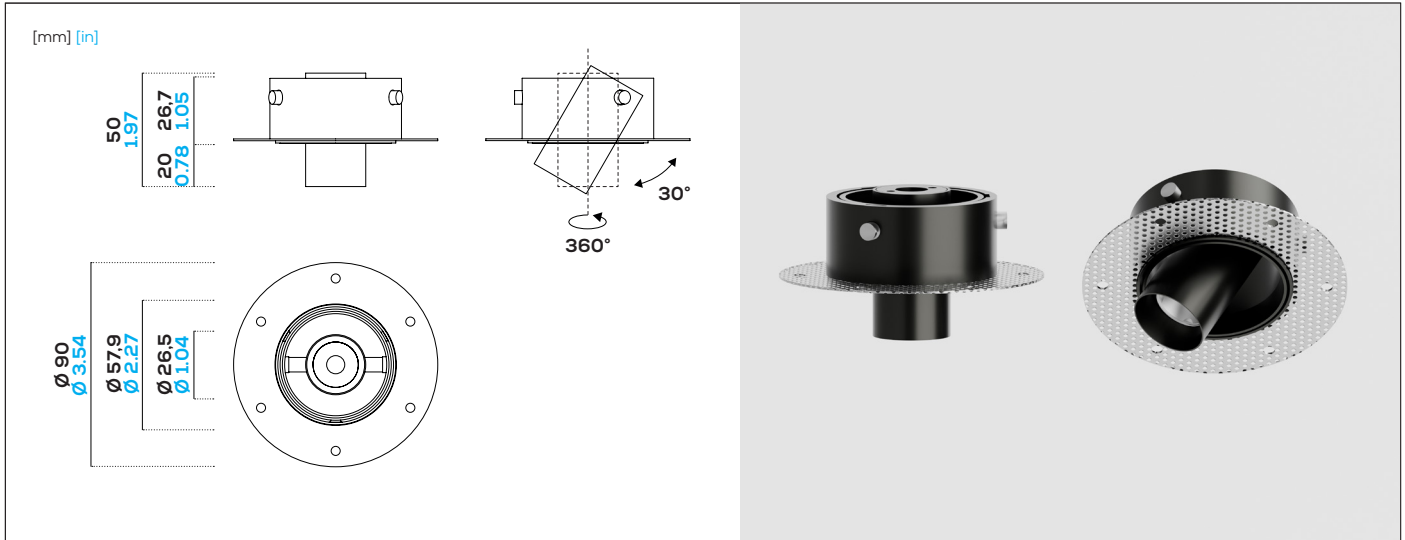
REF.
DATE

For each item select the request option

LIGHT.26_tilt_TL



Product type	Quantity	1 CCT	2 Lens	3 Dimmerability	4 Aluminum finish	5 Accessories
LIGHT.26						



GENERAL SPECS.

Weight:	0,13 kg
Movement:	Adjustable: 360° rotation, 0-30° tilt
IP:	20

The Spot.Mate system is a highly versatile range of spotlights, designed to meet the most diverse architectural and lighting needs. Available in four sizes, the spotlights can be installed on various surfaces, offering multiple features and movement possibilities. Each product is entirely customizable in various aspects to perfectly suit any specific project.



LIGHT SOURCE

LED type:	Nichia
LED Amperage:	700 mA
LED Duration:	50 000 h.
Power:	2.1 W
Delivered Lumen:	220 lm
Efficacy:	104.8 lm/W
Candela:	
CRI:	> 90
R9:	> 50
TM30:	Rf: 91 Rg: 100
SDCM:	3
Color Temperature (CCT):	<input type="checkbox"/> 2700K <input type="checkbox"/> 3000K <input type="checkbox"/> 3500K <input type="checkbox"/> 4000K <input type="checkbox"/> on request: 2000K, 2200K, 2500K, 5000K

OPTICS

Optic Type:	lens
Beam Angle (BA°)	<input type="checkbox"/> 12° <input checked="" type="checkbox"/> 18° <input type="checkbox"/> costum on request

ELECTRICAL

Voltage:	24V DC (Constant Voltage)
Class:	Class 3 24V
Driver:	DC/DC 24 V
Output current:	700 mA
Dimmerability:	<input type="checkbox"/> 0-10 V <input type="checkbox"/> 1-10 V <input type="checkbox"/> DALI <input type="checkbox"/> DMX <input type="checkbox"/> Bluetooth <input type="checkbox"/> PUSH

Images / 3D / sections and the relative details shown in the following pages are generic and indicative. The number and position of the fixing points and fasteners may change during the production phase. The type, quantity and position of the Folio panels' power cables are indicative.



REF.
DATE

For each item select the request option

LIGHT.26_tilt_TL



Product type	Quantity	<input type="checkbox"/> 1 CCT	<input type="checkbox"/> 2 Lens	<input type="checkbox"/> 3 Dimmerability	<input type="checkbox"/> 4 Aluminum finish	<input type="checkbox"/> 5 Accessories
LIGHT.26						

ALUMINIUM FINISHES

4

RAL/NCS/Pantone:

Polished finish:

<input type="checkbox"/> aluminium	<input type="checkbox"/> copper
<input type="checkbox"/> steel	<input type="checkbox"/> champagne
<input type="checkbox"/> brass	<input type="checkbox"/> bronze

Brushed finish:

<input type="checkbox"/> aluminium	<input type="checkbox"/> copper
<input type="checkbox"/> steel	<input type="checkbox"/> champagne
<input type="checkbox"/> brass	<input type="checkbox"/> bronze

Galvanic finish:

<input type="checkbox"/> brass	<input type="checkbox"/> copper
<input type="checkbox"/> chrome	<input type="checkbox"/> black nickel

ACCESSORIES

5

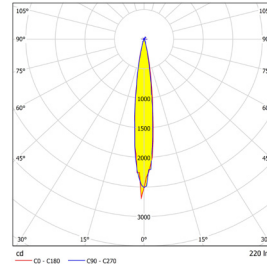
Honeycomb

Snoot

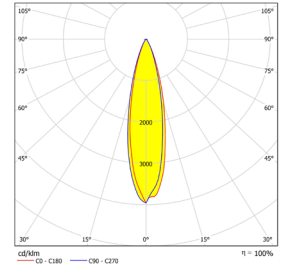


LENS INFO

Beam Angle (BA°): 12°

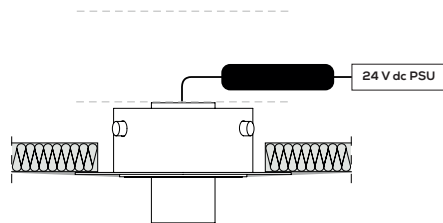


Beam Angle (BA°): 18°



APPLICATIONS

Drywall



Cut out: $\varnothing 70 \text{ mm}$ / $\varnothing 2.75 \text{ in}$



Clear volume: 30 mm / 1.18 in

Images / 3D / sections and the relative details shown in the following pages are generic and indicative. The number and position of the fixing points and fasteners may change during the production phase. The type, quantity and position of the Folio panels' power cables are indicative.



LIGHT.26_tilt_TL

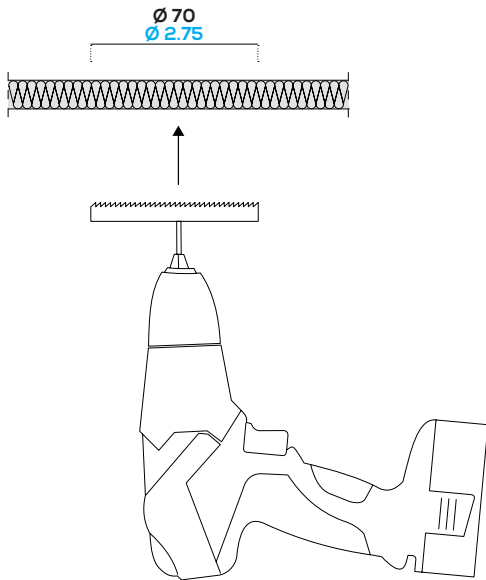


Product type	Quantity	1 CCT	2 Lens	3 Dimmerability	4 Aluminum finish	5 Accessories
LIGHT.26						

MOUNTING INSTRUCTION

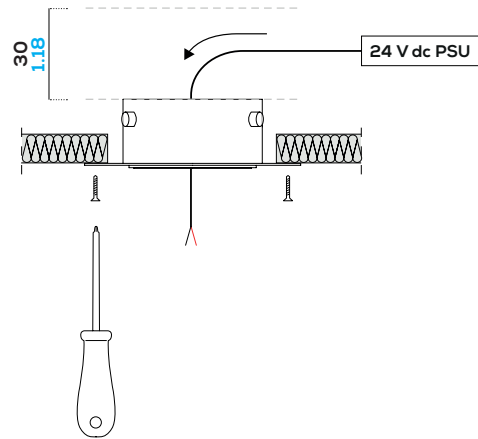
STEP 1: Hole preparation

Folio Opal: Pre-drilled (no action required).
Drywall / Furniture: Drill $\varnothing 70$ mm hole.



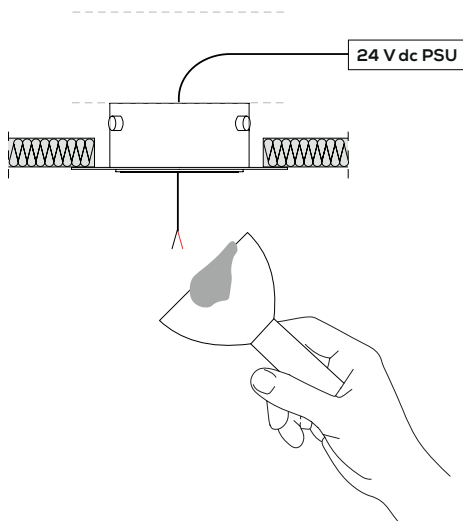
STEP 2: Bracket fixing

Ensure a min. **30 mm** internal height. Screw the mounting bracket to the drywall and pull the 24V DC cable through.



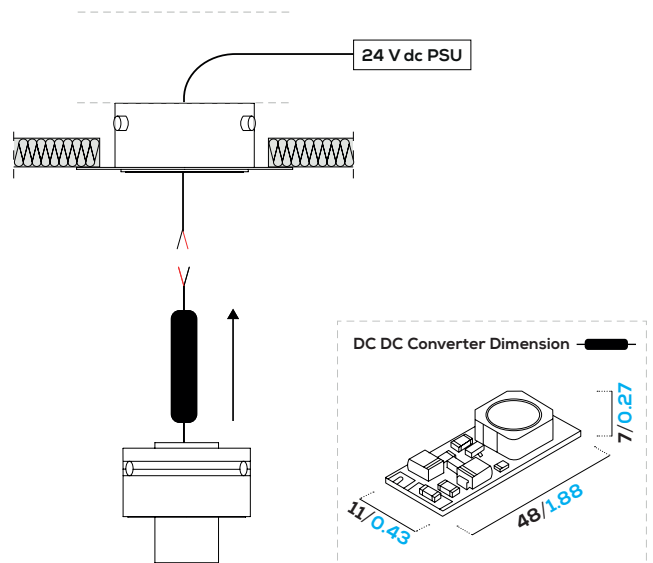
STEP 3: Plastering & Finishing

Plaster over the mounting ring to achieve a seamless finish.



STEP 4: Installation

Make the connection between the cables and mount the spot.



Images / 3D / sections and the relative details shown in the following pages are generic and indicative. The number and position of the fixing points and fasteners may change during the production phase. The type, quantity and position of the Folio panels' power cables are indicative.



REF.
DATE

For each item select the request option

36

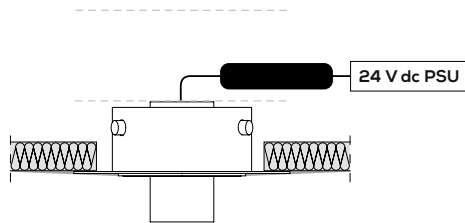
LIGHT.26_tilt_TL

FOLIO®

Product type	Quantity	1 CCT	2 Lens	3 Dimmerability	4 Aluminum finish	5 Accessories
LIGHT.26						

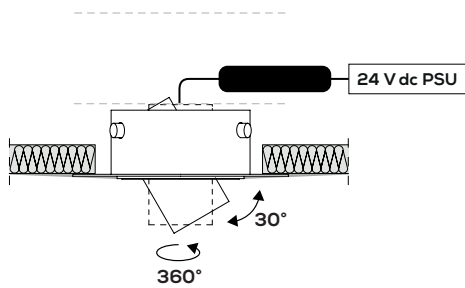
STEP 5:

Push the spot upward into the hole.
Once fully inserted, the spotlight is now ready for use.



FEATURES

360° rotation _ 0-30° tilt



Images / 3D / sections and the relative details shown in the following pages are generic and indicative. The number and position of the fixing points and fasteners may change during the production phase. The type, quantity and position of the Folio panels' power cables are indicative.