



REF.
DATE

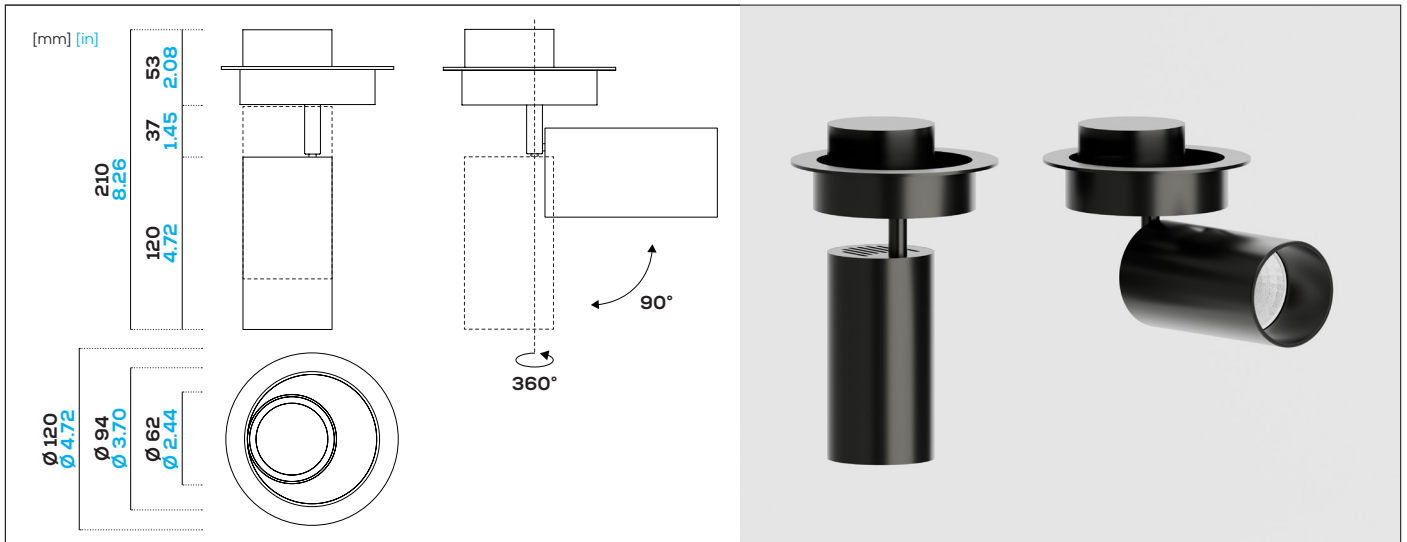
For each item select the request option

5

BOLD.62_adj_TL_snap in_on board



Product type	Quantity	<input type="checkbox"/> 1 CCT	<input type="checkbox"/> 2 Lens	<input type="checkbox"/> 3 Dimmerability	<input type="checkbox"/> 4 Aluminum finish	<input type="checkbox"/> 5 Accessories
BOLD.62						



GENERAL SPECS.

Weight:	0,70 kg
Movement:	Adjustable: 360° rotation, 0-90° tilt
IP:	20

The Spot.Mate system is a highly versatile range of spotlights, designed to meet the most diverse architectural and lighting needs. Available in four sizes, the spotlights can be installed on various surfaces, offering multiple features and movement possibilities. Each product is entirely customizable in various aspects to perfectly suit any specific project.



LIGHT SOURCE

LED type:	Nichia
LED Amperage:	350 mA
LED Duration:	50 000 h.
Power:	12 W
Delivered Lumen:	1150 lm
Efficacy:	95.8 lm/W
Candela:	
CRI:	> 90
R9:	> 50
TM30:	Rf: 98 Rg: 99
SDCM:	3
Color Temperature (CCT):	<input type="checkbox"/> 2700K <input type="checkbox"/> 3000K <input type="checkbox"/> 3500K <input type="checkbox"/> 4000K <input type="checkbox"/> on request: 2000K, 2200K, 2500K, 5000K

OPTICS

Optic Type:	lens
Beam Angle (BA°)	<input type="checkbox"/> 12° <input type="checkbox"/> 35° <input type="checkbox"/> 55° <input type="checkbox"/> costum on request

ELECTRICAL

Voltage:	48V DC (Constant Voltage)
Class:	Class 3 48V
Driver:	DC/DC 48 V
Output current:	350 mA
Dimmerability:	<input type="checkbox"/> 0-10 V <input type="checkbox"/> 1-10 V <input type="checkbox"/> DALI <input type="checkbox"/> DMX <input type="checkbox"/> Bluetooth <input type="checkbox"/> PUSH

Images / 3D / sections and the relative details shown in the following pages are generic and indicative. The number and position of the fixing points and fasteners may change during the production phase. The type, quantity and position of the Folio panels' power cables are indicative.



REF.
DATE

For each item select the request option

BOLD.62_adj_TL_snap in_on board



Product type	Quantity	<input type="checkbox"/> 1 CCT	<input type="checkbox"/> 2 Lens	<input type="checkbox"/> 3 Dimmerability	<input type="checkbox"/> 4 Aluminum finish	<input type="checkbox"/> 5 Accessories
BOLD.62						

ALUMINIUM FINISHES

4

RAL/NCS/Pantone:

Polished finish:

<input type="checkbox"/>	<input type="checkbox"/>	<input type="checkbox"/>	<input type="checkbox"/>
<input type="checkbox"/>	aluminium	<input type="checkbox"/>	copper
<input type="checkbox"/>	steel	<input type="checkbox"/>	champagne
<input type="checkbox"/>	brass	<input type="checkbox"/>	bronze

Brushed finish:

<input type="checkbox"/>	aluminium	<input type="checkbox"/>	copper
<input type="checkbox"/>	steel	<input type="checkbox"/>	champagne
<input type="checkbox"/>	brass	<input type="checkbox"/>	bronze

Galvanic finish:

<input type="checkbox"/>	brass	<input type="checkbox"/>	copper
<input type="checkbox"/>	chrome	<input type="checkbox"/>	black nickel

ACCESSORIES

5

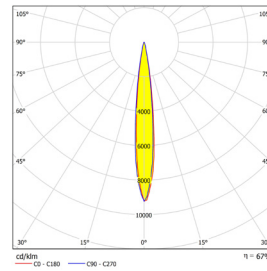
Honeycomb

Snoot

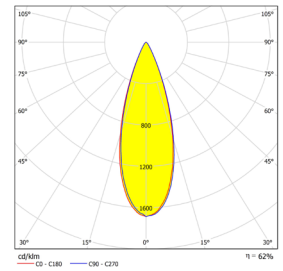


LENS INFO

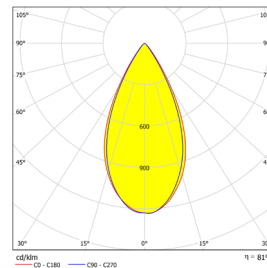
Beam Angle (BA°): 12°



Beam Angle (BA°): 35°



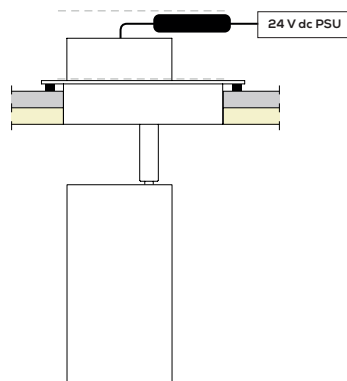
Beam Angle (BA°): 55°



APPLICATIONS

Folio Opal*

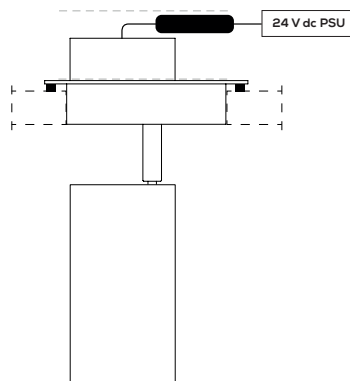
Other Material Application



Cut out: \varnothing 94 mm / \varnothing 3.70 in



Clear volume: 35 mm / 1.37 in



Cut out: \varnothing 94 mm / \varnothing 3.70 in



Clear volume: 35 mm / 1.37 in



*The fixture is supplied fully assembled and does not require additional mounting of the light source.

Images / 3D / sections and the relative details shown in the following pages are generic and indicative. The number and position of the fixing points and fasteners may change during the production phase. The type, quantity and position of the Folio panels' power cables are indicative.



REF.
DATE

For each item select the request option

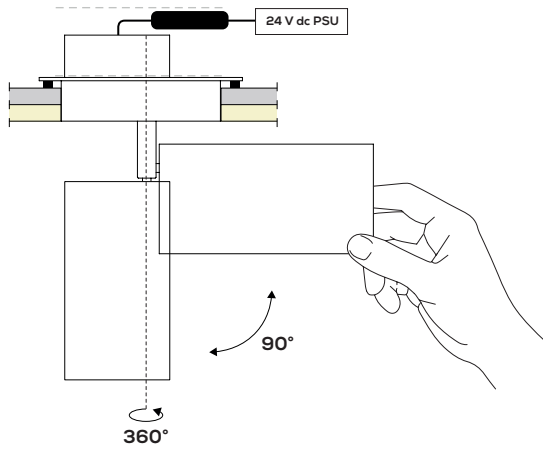
BOLD.62_adj_TL_snap in_on board



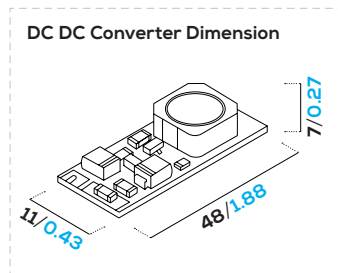
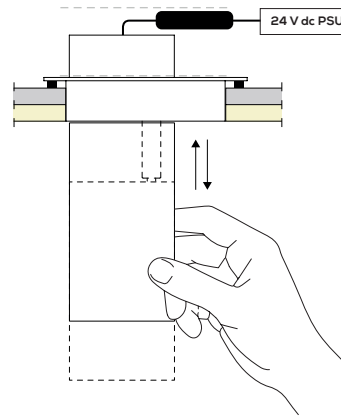
Product type	Quantity	1 CCT	2 Lens	3 Dimmerability	4 Aluminum finish	5 Accessories
BOLD.62						

FEATURES

360° rotation, 0-90° tilt



Snap in - Snap out



Images / 3D / sections and the relative details shown in the following pages are generic and indicative. The number and position of the fixing points and fasteners may change during the production phase. The type, quantity and position of the Folio panels' power cables are indicative.