



REF.  
DATE

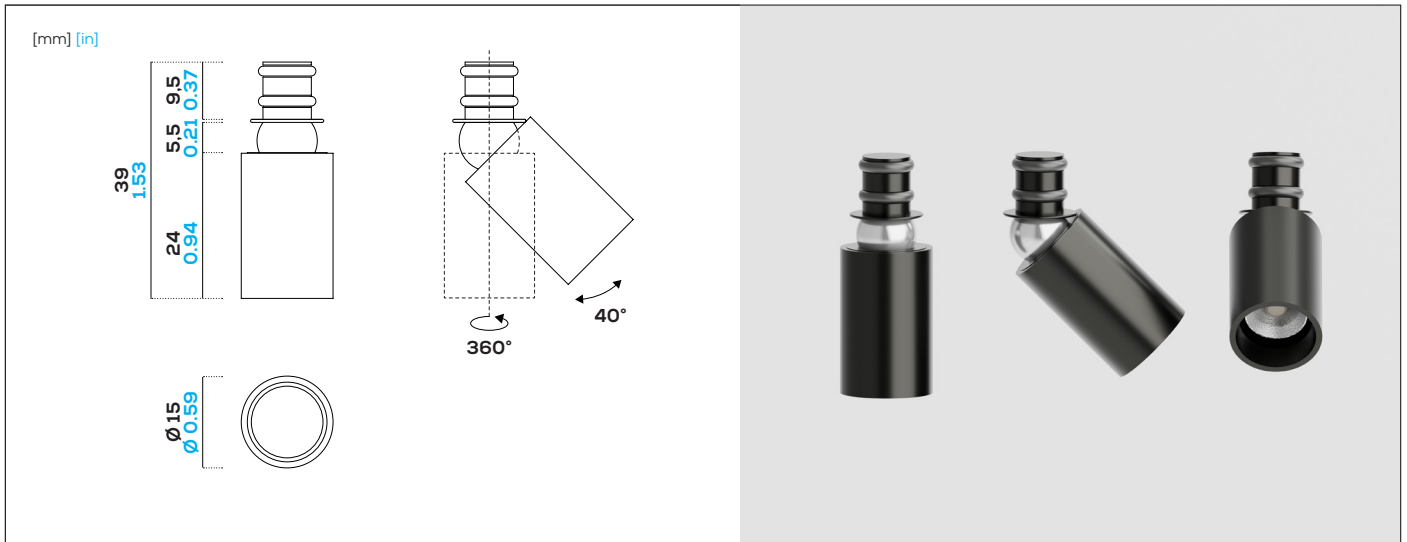
For each item select the request option

1

# THIN.15\_adj\_TR

FOLIO®

Product type	Quantity	<input type="checkbox"/> 1 CCT	<input type="checkbox"/> 2 Lens	<input type="checkbox"/> 3 Dimmerability	<input type="checkbox"/> 4 Aluminum finish	<input type="checkbox"/> 5 Accessories
THIN.15						



## GENERAL SPECS.

Weight:	0,01 kg
Movement:	Adjustable: 360° rotation, 0-40° tilt
IP:	20

The Spot.Mate system is a highly versatile range of spotlights, designed to meet the most diverse architectural and lighting needs. Available in four sizes, the spotlights can be installed on various surfaces, offering multiple features and movement possibilities. Each product is entirely customizable in various aspects to perfectly suit any specific project.



## LIGHT SOURCE

LED type:	Nichia
LED Amperage:	500 mA
LED Duration:	50 000 h.
Power:	1.5 W
Delivered Lumen:	145 lm
Efficacy:	96.6 lm/W
Candela:	
CRI:	> 90
R9:	> 80
TM30:	Rf: 91 Rg: 100
SDCM:	2
Color Temperature (CCT):	<input type="checkbox"/> 2700K <input type="checkbox"/> 3000K <input type="checkbox"/> 3500K <input type="checkbox"/> 4000K <input type="checkbox"/> on request: 2000K, 2200K, 2500K, 5000K

## OPTICS

Optic Type:	lens
Beam Angle (BA°)	<input type="checkbox"/> 15° <input type="checkbox"/> 25° <input type="checkbox"/> 35° <input type="checkbox"/> costum on request

## ELECTRICAL

Voltage:	24V DC (Constant Voltage)
Class:	Class 3 24V
Driver:	DC/DC 24 V
Output current:	500 mA
Dimmerability:	<input type="checkbox"/> 0-10 V <input type="checkbox"/> 1-10 V <input type="checkbox"/> DALI <input type="checkbox"/> DMX <input type="checkbox"/> Bluetooth <input type="checkbox"/> PUSH

Images / 3D / sections and the relative details shown in the following pages are generic and indicative. The number and position of the fixing points and fasteners may change during the production phase. The type, quantity and position of the Folio panels' power cables are indicative.



REF.  
DATE

For each item select the request option

# THIN.15\_adj\_TR



Product type	Quantity	1 CCT	2 Lens	3 Dimmerability	4 Aluminum finish	5 Accessories
THIN.15						

## ALUMINIUM FINISHES

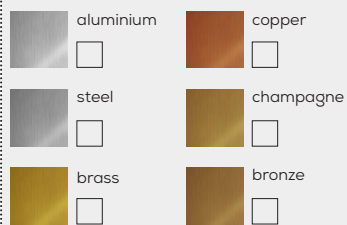
4

RAL/NCS/Pantone:

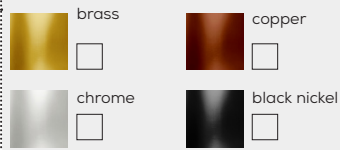
Polished finish:



Brushed finish:



Galvanic finish:



## ACCESSORIES

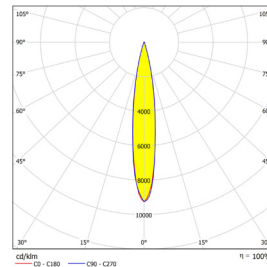
5

Honeycomb  Snoot  Spring Kit

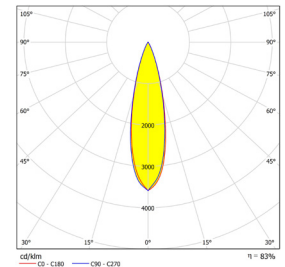


## LENS INFO

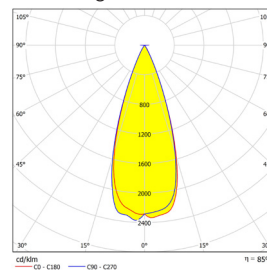
Beam Angle (BA°): 12°



Beam Angle (BA°): 25°

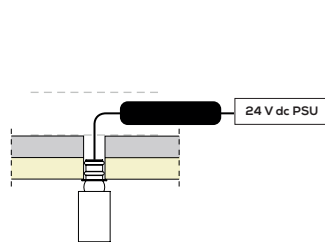


Beam Angle (BA°): 35°



## APPLICATIONS

Folio Opal



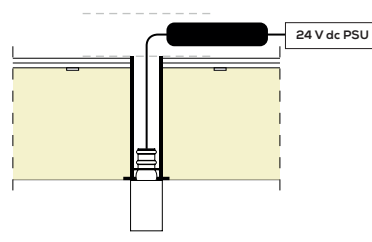
Cut out: 9.5 mm / 3.74 in



Clear volume: 20 mm / 7.87 in



Folio Zero



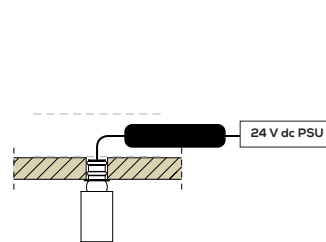
Cut out: 9.5 mm / 3.74 in



Clear volume: 20 mm / 7.87 in



Forniture



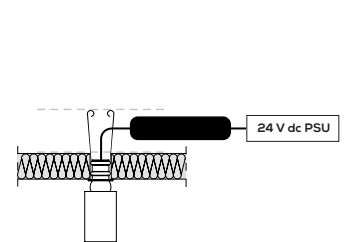
Cut out: 9.5 mm / 3.74 in



Clear volume: 20 mm / 7.87 in



Drywall



Cut out: 9.5 mm / 3.74 in



Clear volume: 20 mm / 7.87 in



Images / 3D / sections and the relative details shown in the following pages are generic and indicative. The number and position of the fixing points and fasteners may change during the production phase. The type, quantity and position of the Folio panels' power cables are indicative.



REF.  
DATE

For each item select the request option

3

# THIN.15\_adj\_TR

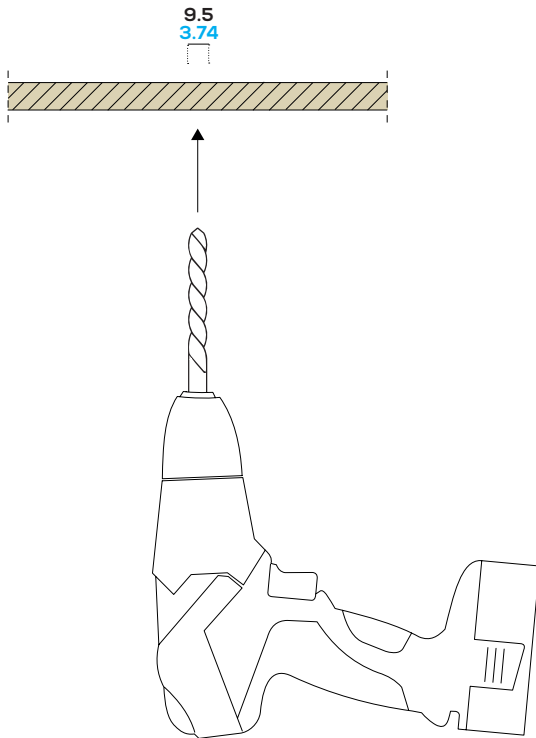


Product type	Quantity	1 CCT	2 Lens	3 Dimmerability	4 Aluminum finish	5 Accessories
THIN.15						

## MOUNTING INSTRUCTION

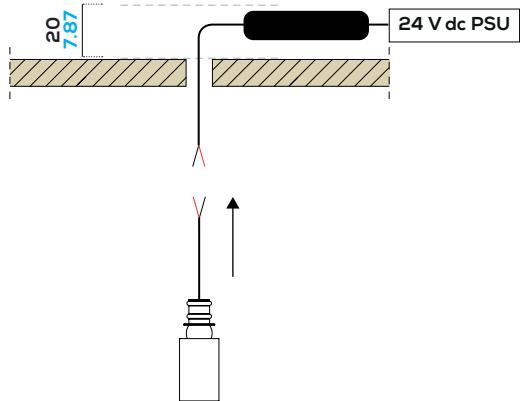
### STEP 1: Hole preparation

**Folio Opal:** Pre-drilled (no action required).  
**Drywall / Furniture:** Drill  $\varnothing 9.5$ mm hole.



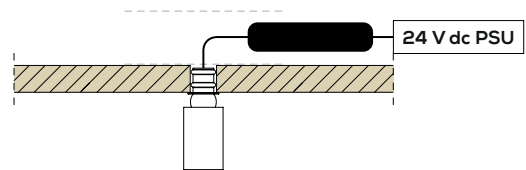
### STEP 2: Cable connection

Pull up the spot with the cable and connect it to the **24V DC** cable



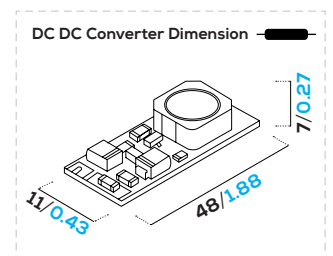
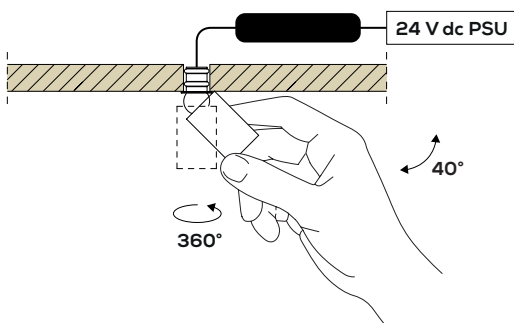
### STEP 3: Spot Insertion

Push the spot upward into the hole.  
The O-Ring will prevent the spotlight from falling.



## FEATURES

360° rotation, 0-40° tilt



Images / 3D / sections and the relative details shown in the following pages are generic and indicative. The number and position of the fixing points and fasteners may change during the production phase. The type, quantity and position of the Folio panels' power cables are indicative.