



REF.
DATE

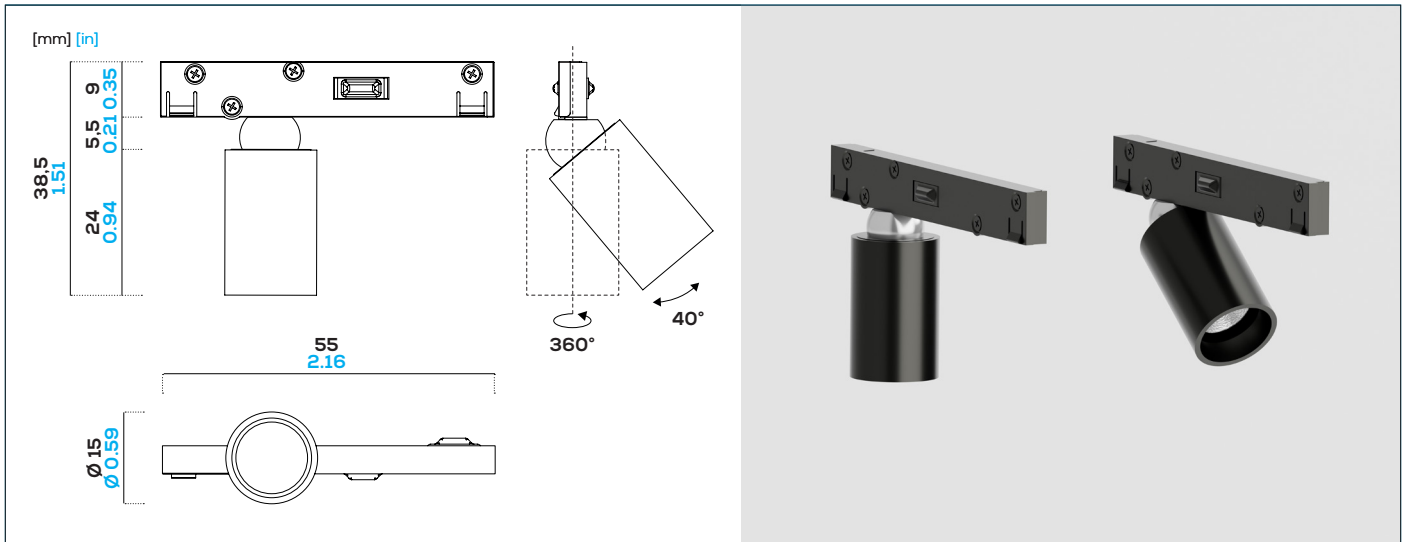
For each item select the request option

10

THIN.15_track

FOLIO®

Product type	Quantity	<input type="checkbox"/> 1 CCT	<input type="checkbox"/> 2 Lens	<input type="checkbox"/> 3 Dimmerability	<input type="checkbox"/> 4 Aluminum finish	<input type="checkbox"/> 5 Accessories
THIN.15						



GENERAL SPECS.

Weight:	0,06 kg
Movement:	Adjustable: 360° rotation, 0-40° tilt
IP:	20

The Spot.Mate system is a highly versatile range of spotlights, designed to meet the most diverse architectural and lighting needs. Available in four sizes, the spotlights can be installed on various surfaces, offering multiple features and movement possibilities. Each product is entirely customizable in various aspects to perfectly suit any specific project.



LIGHT SOURCE

LED type:	Nichia
LED Amperage:	500 mA
LED Duration:	50 000 h.
Power:	1.5 W
Delivered Lumen:	145 lm
Efficacy:	96.6 lm/W
Candela:	
CRI:	> 90
R9:	> 80
TM30:	Rf: 91 Rg: 100
SDCM:	2
Color Temperature (CCT):	<input type="checkbox"/> 2700K <input type="checkbox"/> 3000K <input type="checkbox"/> 3500K <input type="checkbox"/> 4000K <input type="checkbox"/> on request: 2000K, 2200K, 2500K, 5000K

OPTICS

Optic Type:	lens
Beam Angle (BA°)	<input type="checkbox"/> 15° <input type="checkbox"/> 25° <input type="checkbox"/> 35° <input type="checkbox"/> costum on request

ELECTRICAL

Voltage:	24V DC (Constant Voltage)
Class:	Class 3 24V
Driver:	DC/DC 24 V
Output current:	500 mA
Dimmerability:	<input type="checkbox"/> 0-10 V <input type="checkbox"/> 1-10 V <input type="checkbox"/> DALI <input type="checkbox"/> DMX <input type="checkbox"/> Bluetooth <input type="checkbox"/> PUSH

Images / 3D / sections and the relative details shown in the following pages are generic and indicative. The number and position of the fixing points and fasteners may change during the production phase. The type, quantity and position of the Folio panels' power cables are indicative.



REF.
DATE

For each item select the request option

THIN.15_track



Product type	Quantity	<input type="checkbox"/> 1 CCT	<input type="checkbox"/> 2 Lens	<input type="checkbox"/> 3 Dimmerability	<input type="checkbox"/> 4 Aluminum finish	<input type="checkbox"/> 5 Accessories
THIN.15						

ALUMINIUM FINISHES

4

RAL/NCS/Pantone:

Polished finish:

<input type="checkbox"/> aluminium	<input type="checkbox"/> copper
<input type="checkbox"/> steel	<input type="checkbox"/> champagne
<input type="checkbox"/> brass	<input type="checkbox"/> bronze

Brushed finish:

<input type="checkbox"/> aluminium	<input type="checkbox"/> copper
<input type="checkbox"/> steel	<input type="checkbox"/> champagne
<input type="checkbox"/> brass	<input type="checkbox"/> bronze

Galvanic finish:

<input type="checkbox"/> brass	<input type="checkbox"/> copper
<input type="checkbox"/> chrome	<input type="checkbox"/> black nickel

ACCESSORIES

5

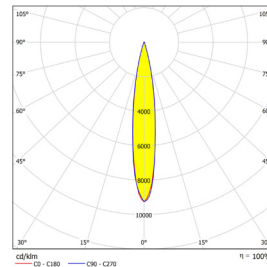
Honeycomb

Snoot

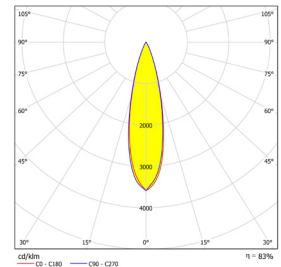


LENS INFO

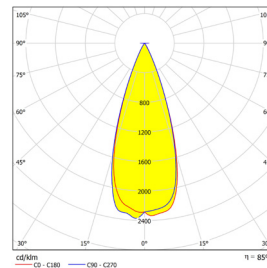
Beam Angle (BA°): 12°



Beam Angle (BA°): 25°



Beam Angle (BA°): 35°

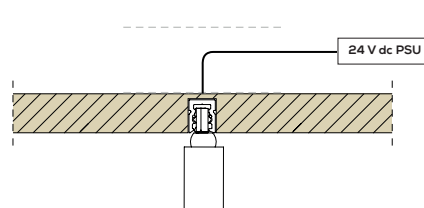
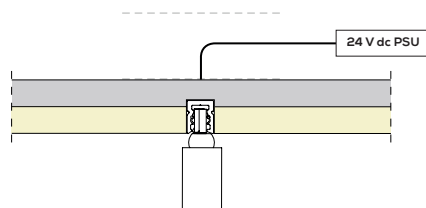


APPLICATIONS

Folio Opal



Forniture



Cut out: 15 mm / 5.90 in



Clear volume: 25 mm / 9.84 in



Cut out: 15 mm / 5.90 in



Clear volume: 25 mm / 9.84 in



Images / 3D / sections and the relative details shown in the following pages are generic and indicative. The number and position of the fixing points and fasteners may change during the production phase. The type, quantity and position of the Folio panels' power cables are indicative.



REF.
DATE

For each item select the request option

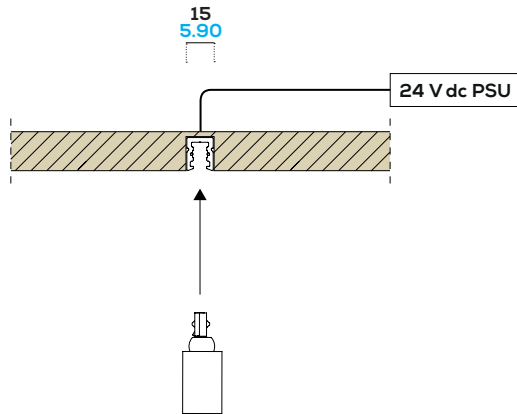
THIN.15_track



Product type	Quantity	1 CCT	2 Lens	3 Dimmerability	4 Aluminum finish	5 Accessories
THIN.15						

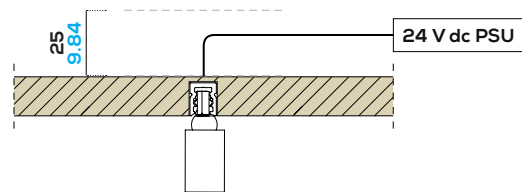
STEP 1: Hole preparation

Folio Opal: Pre-drilled (no action required).
Drywall / Furniture: Drill $\varnothing 9.5\text{mm}$ hole.



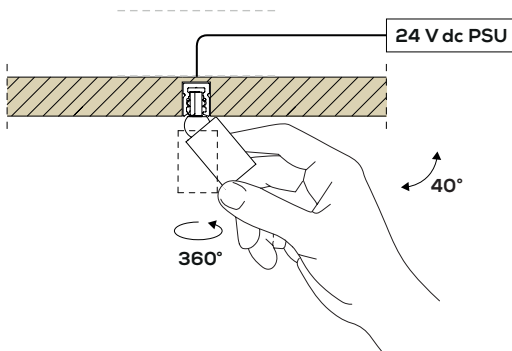
STEP 2: Cable connection

Pull up the spot with the cable and connect it to the **24V DC** cable.



FEATURES

360° rotation, 0-40° tilt



Images / 3D / sections and the relative details shown in the following pages are generic and indicative. The number and position of the fixing points and fasteners may change during the production phase. The type, quantity and position of the Folio panels' power cables are indicative.