



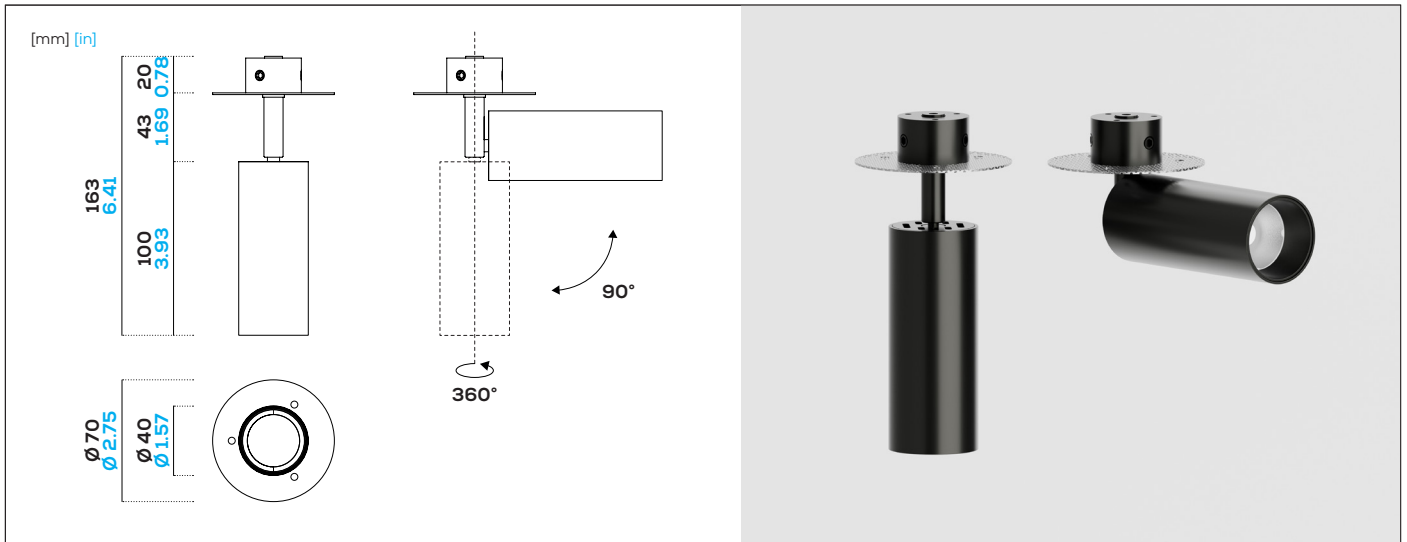
REF.
DATE

For each item select the request option

MIDI.40_adj_TL_plug in



Product type	Quantity	1 CCT	2 Lens	3 Dimmerability	4 Aluminum finish	5 Accessories
MIDI.40						



GENERAL SPECS.

Weight:	0,16 kg
Movement:	Adjustable: 360° rotation, 0-90° tilt
IP:	20

The Spot.Mate system is a highly versatile range of spotlights, designed to meet the most diverse architectural and lighting needs. Available in four sizes, the spotlights can be installed on various surfaces, offering multiple features and movement possibilities. Each product is entirely customizable in various aspects to perfectly suit any specific project.



LIGHT SOURCE

LED type:	Nichia
LED Amperage:	500 mA
LED Duration:	50 000 h.
Power:	6.1 W
Delivered Lumen:	650 lm
Efficacy:	106.5 lm/W
Candela:	
CRI:	> 90
R9:	> 50
TM30:	Rf: 91 Rg: 100
SDCM:	2
Color Temperature (CCT):	<input type="checkbox"/> 2700K <input type="checkbox"/> 3000K <input type="checkbox"/> 3500K <input type="checkbox"/> 4000K <input type="checkbox"/> on request: 2000K, 2200K, 2500K, 5000K

OPTICS

Optic Type:	lens
Beam Angle (BA°)	<input type="checkbox"/> 12° <input checked="" type="checkbox"/> 19° <input type="checkbox"/> 25° <input type="checkbox"/> costum on request

ELECTRICAL

Voltage:	24V DC (Constant Voltage)
Class:	Class 3 24V
Driver:	DC/DC 24 V
Output current:	500 mA
Dimmerability:	<input type="checkbox"/> 0-10 V <input type="checkbox"/> 1-10 V <input type="checkbox"/> DALI <input type="checkbox"/> DMX <input type="checkbox"/> Bluetooth <input type="checkbox"/> PUSH

Images / 3D / sections and the relative details shown in the following pages are generic and indicative. The number and position of the fixing points and fasteners may change during the production phase. The type, quantity and position of the Folio panels' power cables are indicative.



REF.
DATE

For each item select the request option

MIDI.40_adj_TL_plug in



Product type	Quantity	<input type="checkbox"/> 1 CCT	<input type="checkbox"/> 2 Lens	<input type="checkbox"/> 3 Dimmerability	<input type="checkbox"/> 4 Aluminum finish	<input type="checkbox"/> 5 Accessories
MIDI.40						

ALUMINIUM FINISHES

4

RAL/NCS/Pantone:

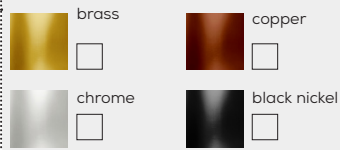
Polished finish:



Brushed finish:



Galvanic finish:



ACCESSORIES

5

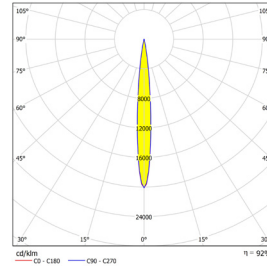
Honeycomb

Snoot

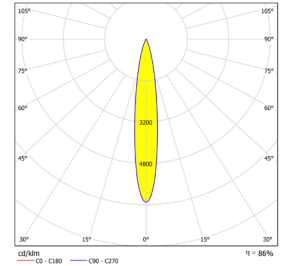


LENS INFO

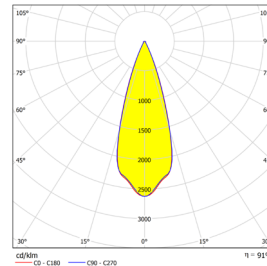
Beam Angle (BA°): 12°



Beam Angle (BA°): 19°

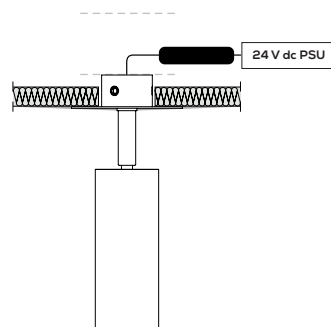


Beam Angle (BA°): 25°



APPLICATIONS

Drywall



Cut out: Cut out: \varnothing 35 mm / \varnothing 1.37 in



Clear volume: 40 mm / 1.57 in

Images / 3D / sections and the relative details shown in the following pages are generic and indicative. The number and position of the fixing points and fasteners may change during the production phase. The type, quantity and position of the Folio panels' power cables are indicative.



MIDI.40_adj_TL_plug in

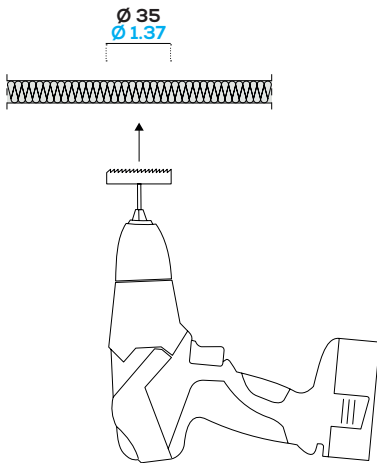


Product type	Quantity	1 CCT	2 Lens	3 Dimmerability	4 Aluminum finish	5 Accessories
MIDI.40						

MOUNTING INSTRUCTION

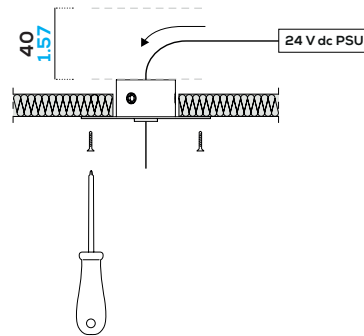
STEP 1: Hole Preparation

Make a $\varnothing 35$ mm hole.



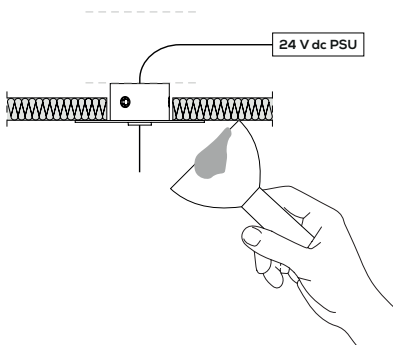
STEP 2: Cable Routing

Ensure a min. **40 mm** internal height. Pull down the **24V DC** cable through the hole and pull up the spot. Connect the two parts.



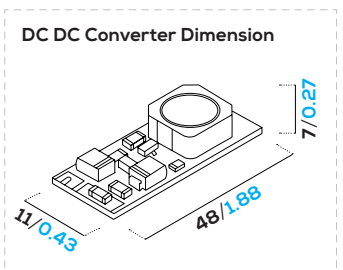
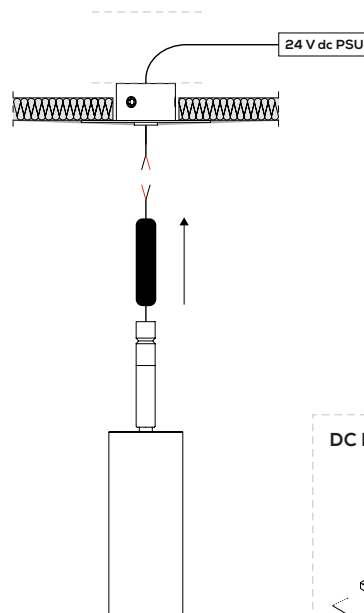
STEP 3: Plastering & Finishing

Plaster over the mounting ring to achieve a seamless finish.



STEP 4: Installation

Make the connection between the cables and mount the spot.



Images / 3D / sections and the relative details shown in the following pages are generic and indicative. The number and position of the fixing points and fasteners may change during the production phase. The type, quantity and position of the Folio panels' power cables are indicative.



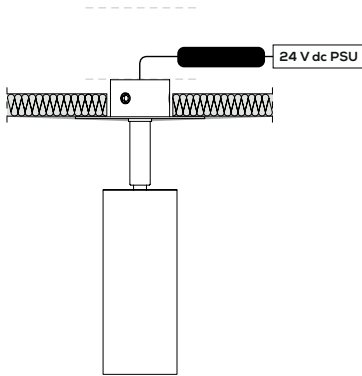
MIDI.40_adj_TL_plug in



Product type	Quantity	1 CCT	2 Lens	3 Dimmerability	4 Aluminum finish	5 Accessories
MIDI.40						

STEP 5:

Insert the spotlight.
The spotlight is now ready for use.



FEATURES

360° rotation, 0-90° tilt

Plug in - Plug out

