



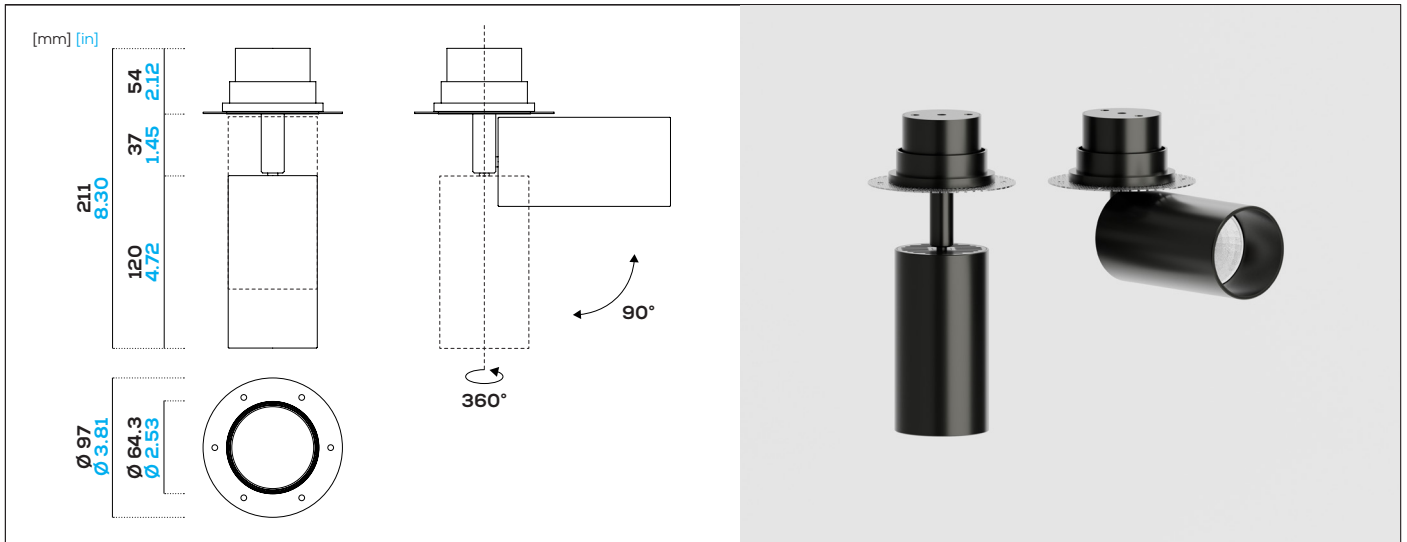
REF.
DATE

For each item select the request option

BOLD.62_adj_TL_snap in



Product type	Quantity	<input checked="" type="checkbox"/> 1 CCT	<input checked="" type="checkbox"/> 2 Lens	<input checked="" type="checkbox"/> 3 Dimmerability	<input checked="" type="checkbox"/> 4 Aluminum finish	<input checked="" type="checkbox"/> 5 Accessories
BOLD.62						



GENERAL SPECS.

Weight:	0,68 kg
Movement:	Adjustable: 360° rotation, 0-90° tilt
IP:	20

The Spot.Mate system is a highly versatile range of spotlights, designed to meet the most diverse architectural and lighting needs. Available in four sizes, the spotlights can be installed on various surfaces, offering multiple features and movement possibilities. Each product is entirely customizable in various aspects to perfectly suit any specific project.



LIGHT SOURCE

LED type:	Nichia
LED Amperage:	350 mA
LED Duration:	50 000 h.
Power:	12 W
Delivered Lumen:	1150 lm
Efficacy:	95.8 lm/W
Candela:	
CRI:	> 90
R9:	> 50
TM30:	Rf: 98 Rg: 99
SDCM:	3
Color Temperature (CCT):	<input checked="" type="checkbox"/> 2700K <input type="checkbox"/> 3000K <input type="checkbox"/> 3500K <input type="checkbox"/> 4000K <input type="checkbox"/> on request: 2000K, 2200K, 2500K, 5000K

OPTICS

Optic Type:	lens
Beam Angle (BA°)	<input type="checkbox"/> 12° <input checked="" type="checkbox"/> 35° <input type="checkbox"/> 55° <input type="checkbox"/> costum on request

ELECTRICAL

Voltage:	48V DC (Constant Voltage)
Class:	Class 3 48V
Driver:	DC/DC 48 V
Output current:	350 mA
Dimmerability:	<input type="checkbox"/> 0-10 V <input type="checkbox"/> 1-10 V <input type="checkbox"/> DALI <input type="checkbox"/> DMX <input type="checkbox"/> Bluetooth <input type="checkbox"/> PUSH

Images / 3D / sections and the relative details shown in the following pages are generic and indicative. The number and position of the fixing points and fasteners may change during the production phase. The type, quantity and position of the Folio panels' power cables are indicative.



REF.
DATE

For each item select the request option

BOLD.62_adj_TL_snap in



Product type	Quantity	<input type="checkbox"/> 1 CCT	<input type="checkbox"/> 2 Lens	<input type="checkbox"/> 3 Dimmerability	<input type="checkbox"/> 4 Aluminum finish	<input type="checkbox"/> 5 Accessories
BOLD.62						

ALUMINIUM FINISHES

4

RAL/NCS/Pantone:

Polished finish:

<input type="checkbox"/> aluminium	<input type="checkbox"/> copper
<input type="checkbox"/> steel	<input type="checkbox"/> champagne
<input type="checkbox"/> brass	<input type="checkbox"/> bronze

Brushed finish:

<input type="checkbox"/> aluminium	<input type="checkbox"/> copper
<input type="checkbox"/> steel	<input type="checkbox"/> champagne
<input type="checkbox"/> brass	<input type="checkbox"/> bronze

Galvanic finish:

<input type="checkbox"/> brass	<input type="checkbox"/> copper
<input type="checkbox"/> chrome	<input type="checkbox"/> black nickel

ACCESSORIES

5

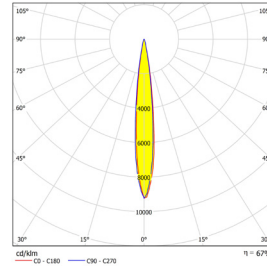
Honeycomb

Snoot

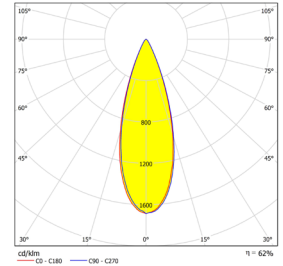


LENS INFO

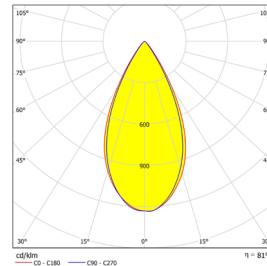
Beam Angle (BA°): 12°



Beam Angle (BA°): 35°

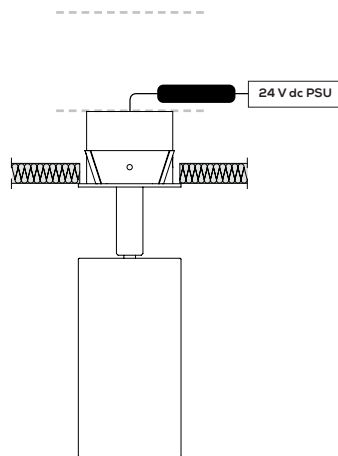


Beam Angle (BA°): 55°



APPLICATIONS

Drywall



Cut out: **70 mm / 2.75 in**



Clear volume: **60 mm / 2.36 in**

Images / 3D / sections and the relative details shown in the following pages are generic and indicative. The number and position of the fixing points and fasteners may change during the production phase. The type, quantity and position of the Folio panels' power cables are indicative.



REF.
DATE

For each item select the request option

10

BOLD.62_adj_TL_snap in

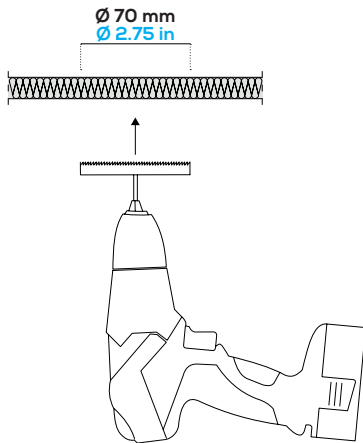


Product type	Quantity	1 CCT	2 Lens	3 Dimmerability	4 Aluminum finish	5 Accessories
BOLD.62						

MOUNTING INSTRUCTION

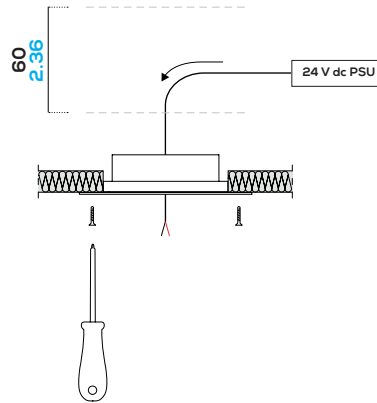
STEP 1: Hole preparation

Make a $\varnothing 70$ mm hole.



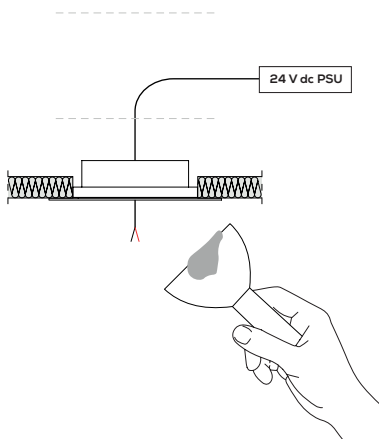
STEP 2: Bracket fixing

Ensure a min. 60 mm internal height. Screw the mounting bracket to the drywall and pull the 24V DC cable through.



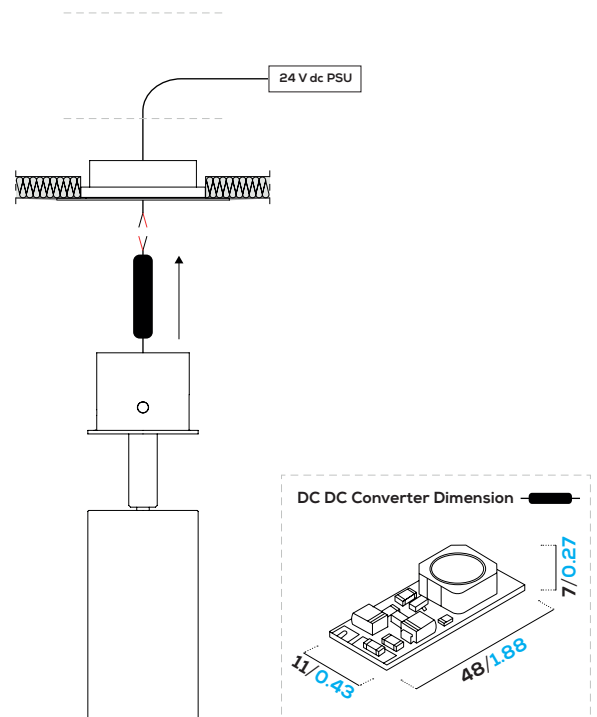
STEP 3: Plastering & Finishing

Plaster over the mounting ring to achieve a seamless finish.



STEP 4: Installation

Make the connection between the cables and mount the spot.



Images / 3D / sections and the relative details shown in the following pages are generic and indicative. The number and position of the fixing points and fasteners may change during the production phase. The type, quantity and position of the Folio panels' power cables are indicative.



REF.
DATE

For each item select the request option

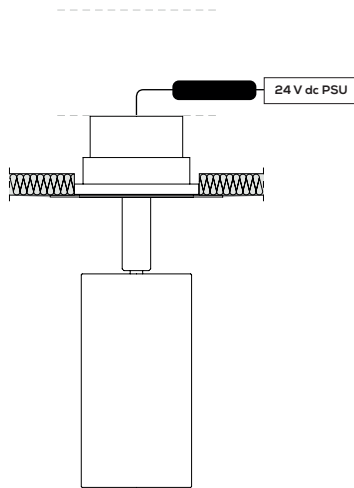
BOLD.62_adj_TL_snap in



Product type	Quantity	1 CCT	2 Lens	3 Dimmerability	4 Aluminum finish	5 Accessories
BOLD.62						

STEP 5:

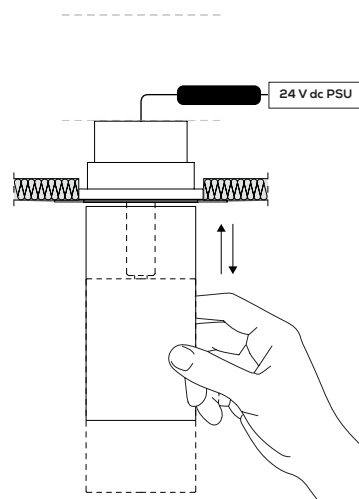
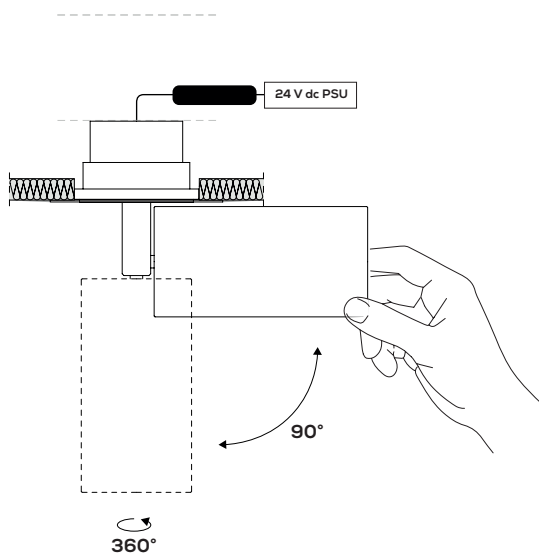
Insert the spotlight.
The spotlight is now ready for use.



FEATURES

360° rotation, 0-90° tilt

Snap in - Snap out



Images / 3D / sections and the relative details shown in the following pages are generic and indicative. The number and position of the fixing points and fasteners may change during the production phase. The type, quantity and position of the Folio panels' power cables are indicative.