



REF.
DATE

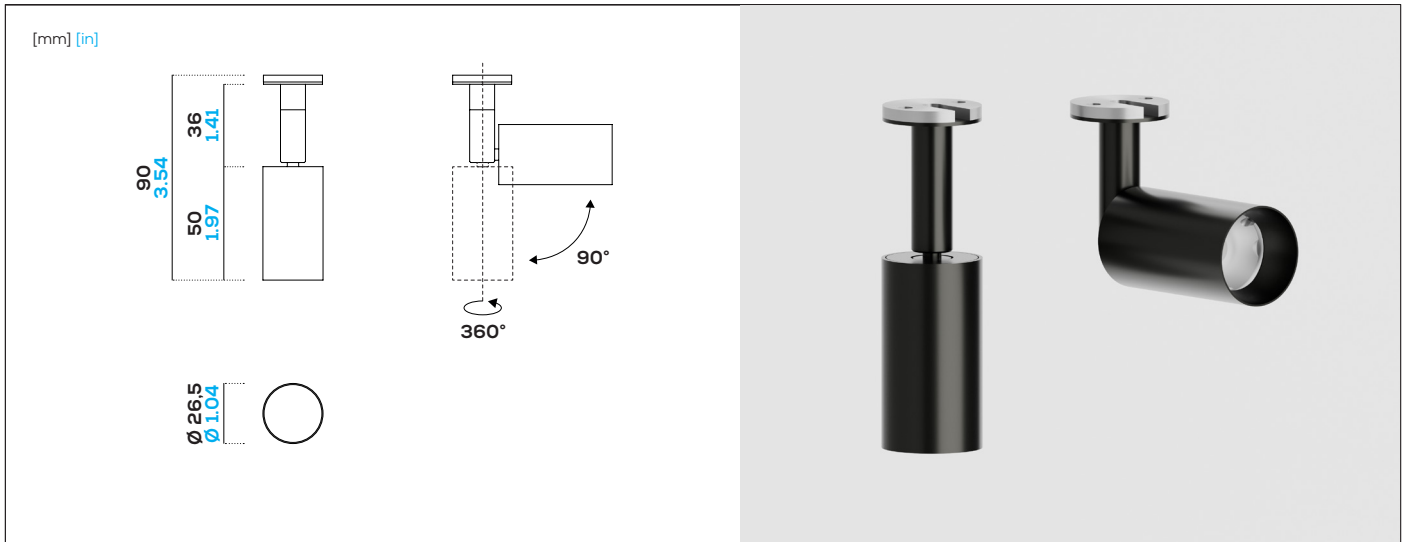
For each item select the request option

8

LIGHT.26_adj_recessed

FOLIO®

Product type	Quantity	<input type="checkbox"/> 1 CCT	<input type="checkbox"/> 2 Lens	<input type="checkbox"/> 3 Dimmerability	<input type="checkbox"/> 4 Aluminum finish	<input type="checkbox"/> 5 Accessories
LIGHT.26						



GENERAL SPECS.

Weight:	0,07 kg
Movement:	Adjustable: 360° rotation, 0-90° tilt
IP:	20

The Spot.Mate system is a highly versatile range of spotlights, designed to meet the most diverse architectural and lighting needs. Available in four sizes, the spotlights can be installed on various surfaces, offering multiple features and movement possibilities. Each product is entirely customizable in various aspects to perfectly suit any specific project.



LIGHT SOURCE

LED type:	Nichia
LED Amperage:	700 mA
LED Duration:	50 000 h.
Power:	2.1 W
Delivered Lumen:	220 lm
Efficacy:	104.8 lm/W
Candela:	
CRI:	> 90
R9:	> 50
TM30:	Rf: 91 Rg: 100
SDCM:	3
Color Temperature (CCT):	<input type="checkbox"/> 2700K <input type="checkbox"/> 3000K <input type="checkbox"/> 3500K <input type="checkbox"/> 4000K <input type="checkbox"/> on request: 2000K, 2200K, 2500K, 5000K

OPTICS

Optic Type:	lens
Beam Angle (BA°)	<input type="checkbox"/> 12° <input checked="" type="checkbox"/> 18° <input type="checkbox"/> costum on request

ELECTRICAL

Voltage:	24V DC (Constant Voltage)
Class:	Class 3 24V
Driver:	DC/DC 24 V
Output current:	700 mA
Dimmerability:	<input type="checkbox"/> 0-10 V <input type="checkbox"/> 1-10 V <input type="checkbox"/> DALI <input type="checkbox"/> DMX <input type="checkbox"/> Bluetooth <input type="checkbox"/> PUSH

Images / 3D / sections and the relative details shown in the following pages are generic and indicative. The number and position of the fixing points and fasteners may change during the production phase. The type, quantity and position of the Folio panels' power cables are indicative.



REF.
DATE

For each item select the request option

LIGHT.26_adj_recessed



Product type	Quantity	<input type="checkbox"/> 1 CCT	<input type="checkbox"/> 2 Lens	<input type="checkbox"/> 3 Dimmerability	<input type="checkbox"/> 4 Aluminum finish	<input type="checkbox"/> 5 Accessories
LIGHT.26						

ALUMINIUM FINISHES

4

RAL/NCS/Pantone:

Polished finish:

<input type="checkbox"/>	aluminium	<input type="checkbox"/>	copper
<input type="checkbox"/>	steel	<input type="checkbox"/>	champagne
<input type="checkbox"/>	brass	<input type="checkbox"/>	bronze

Brushed finish:

<input type="checkbox"/>	aluminium	<input type="checkbox"/>	copper
<input type="checkbox"/>	steel	<input type="checkbox"/>	champagne
<input type="checkbox"/>	brass	<input type="checkbox"/>	bronze

Galvanic finish:

<input type="checkbox"/>	brass	<input type="checkbox"/>	copper
<input type="checkbox"/>	chrome	<input type="checkbox"/>	black nickel

ACCESSORIES

5

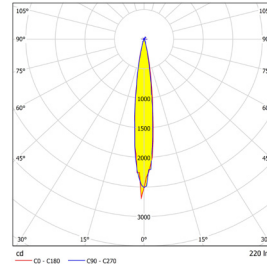
Honeycomb

Snoot

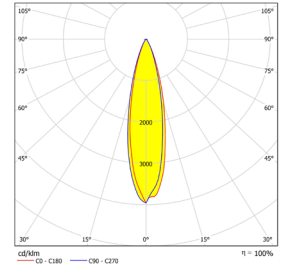


LENS INFO

Beam Angle (BA°): 12°

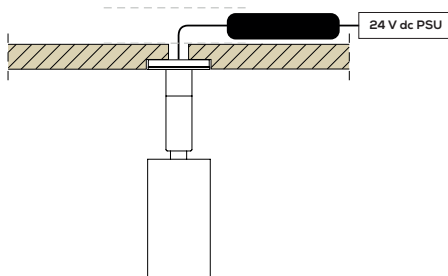


Beam Angle (BA°): 18°



APPLICATIONS

Furniture



Cut out: \varnothing 26,5 mm, thk 4 mm / \varnothing 1.04 in, thk 0.15 in



Clear volume: 15 mm / 0.59 in

Images / 3D / sections and the relative details shown in the following pages are generic and indicative. The number and position of the fixing points and fasteners may change during the production phase. The type, quantity and position of the Folio panels' power cables are indicative.



REF.
DATE

For each item select the request option

10

LIGHT.26_adj_recessed

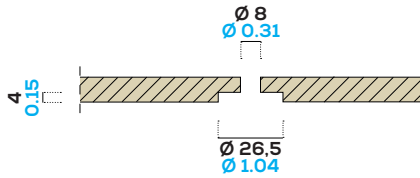


Product type	Quantity	1 CCT	2 Lens	3 Dimmerability	4 Aluminum finish	5 Accessories
LIGHT.26						

MOUNTING INSTRUCTION

STEP 1: Hole preparation

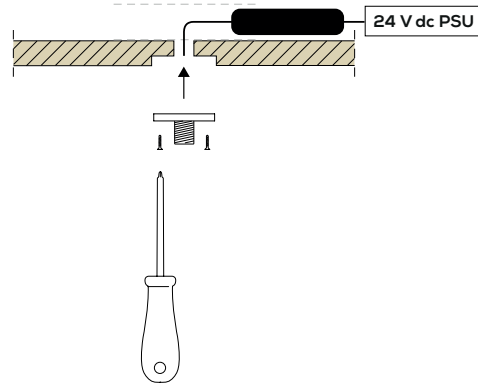
Milling and drilling operations must be performed by specialized personnel.



Mill: $\varnothing 26.5 \times H 4$ mm
Drill: $\varnothing 8$ mm

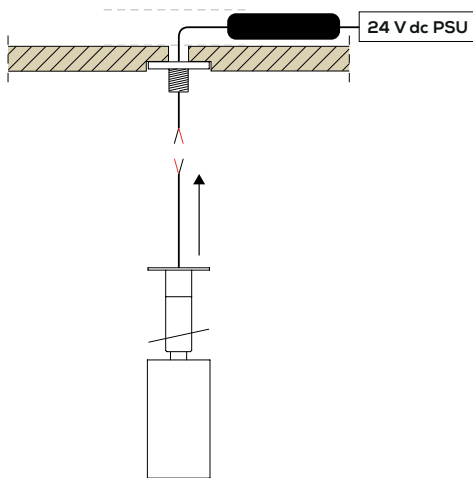
STEP 2: Preparation

Ensure a min. space to pass the cable in the internal height. Screw the component to the shelf.



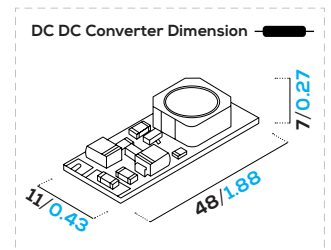
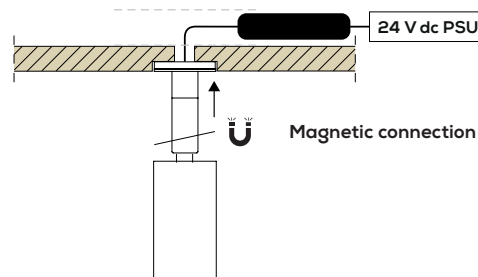
STEP 3: Installation

Pass the cable through the mounting bracket.



STEP 4: Connection

Attach the spotlight via the magnetic connection. Once fully inserted, connect the cables.



Images / 3D / sections and the relative details shown in the following pages are generic and indicative. The number and position of the fixing points and fasteners may change during the production phase. The type, quantity and position of the Folio panels' power cables are indicative.



REF.
DATE

For each item select the request option

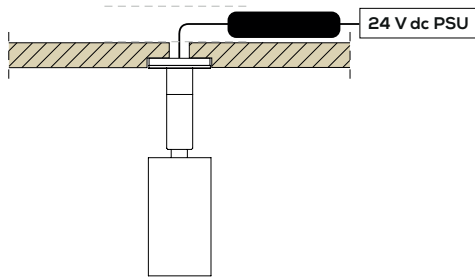
LIGHT.26_adj_recessed



Product type	Quantity	1 CCT	2 Lens	3 Dimmerability	4 Aluminum finish	5 Accessories
LIGHT.26						

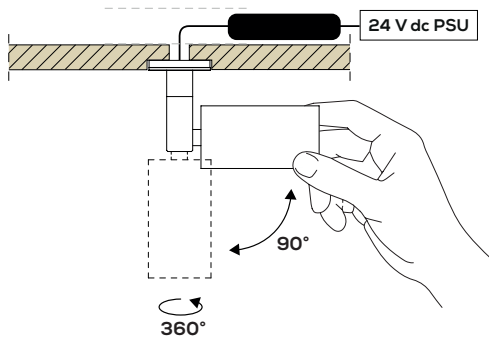
STEP 5: Installation

Once fully inserted, ensure the trim is flush with the surface.
The spotlight is now ready for use.



FEATURES

360° rotation, 0-90° tilt



Images / 3D / sections and the relative details shown in the following pages are generic and indicative. The number and position of the fixing points and fasteners may change during the production phase. The type, quantity and position of the Folio panels' power cables are indicative.