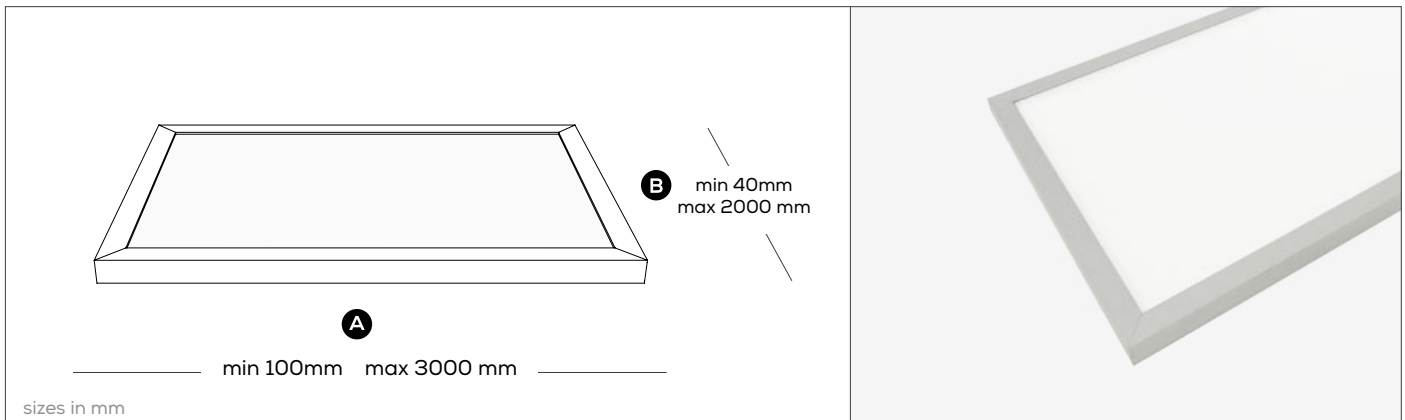




OPAL 3C

FOLIO®



sizes in mm



ELECTRICAL SPECS.

Voltage:	24 V DC
Driver - Transformer:	AC/DC 24 V
Consumption:	22 W/m of LED strip
Dimmability:	DALI, PWM, DMX

PHYSICAL SPECS.

Thickness:	16 mm
Weight:	16 kg/m ²
Materials:	Acrylic (PMMA) - Aluminum
Sizes:	A Min 100 mm - max 3000 mm B Min 40 mm - max 2000 mm

LED

Luminous flux input:	2000 lm/m of LED strip
Luminous flux output:	27% less than the lum. input
LED color temp. (CCT):	3000K, 4000K, 5700K, Tunable White, RGB
Color rendering index:	RA min 90 - R9 min 50
LED positioning:	One, two or four sides

GENERAL SPECS.

Mounting:	Ceiling, wall, floor
Environment of use:	Indoor
Estimated LED lifespan:	About 50.000 hours
Warranty:	2 years

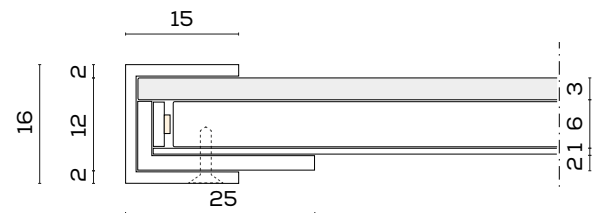
OPTIONAL

2D shaped option:	On request
Drillable:	On request

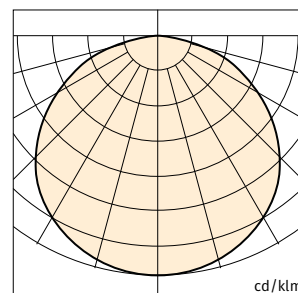
TECHNICAL DESCRIPTION

Custom-made LED panel with internal transparent methacrylate plate, laser-engraved (microprisms), 3 mm opaline PMMA diffuser, and 16 mm aluminum 'C' profile, oxidized or 'RAL'-range painted. Possibility to have a panel with single LED (LED installed on a single side) or multiple LED (LED installed on two or more sides). High-efficiency LED allowing for 70% energy saving compared to fluorescent lamps, dimmable with DALI PWM DMX signal.

SECTION [mm]



POLAR DIAGRAM





OPAL 3C



APPLICATIONS

