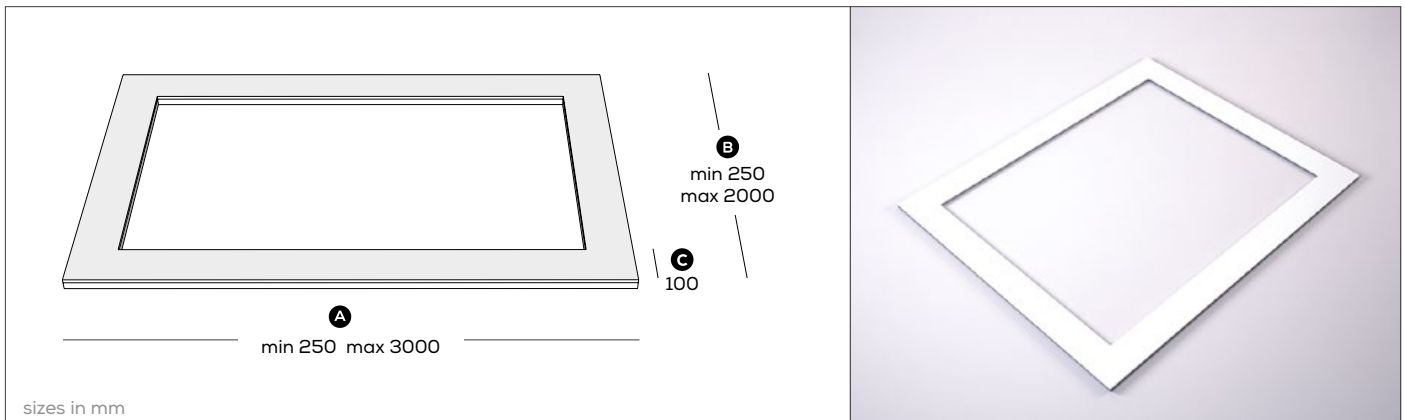




# RIGO FRAME 100

# FOLIO®



sizes in mm



## ELECTRICAL SPECS.

Voltage:	24 V DC
Driver - Transformer:	AC/DC 24 V
Consumption:	22 W/m of LED strip
Dimmability:	DALI, PWM, DMX

## PHYSICAL SPECS.

Thickness:	24 mm
Weight:	24 kg/m <sup>2</sup>
Materials:	Acrylic (PMMA) - Aluminum
Sizes:	<b>A</b> Min 250 mm - max 3000 mm <b>B</b> Min 250 mm - max 2000 mm <b>C</b> 100 mm

## LED

Luminous flux output:	1634 lm/m (two sides LED version)
LED color temp. (CCT):	3000K, 4000K, 5700K, Tunable White, RGB
Color rendering index:	RA min 90 - R9 min 50
LED positioning:	Inner and/or outer perimeter

## GENERAL SPECS.

Mounting:	Ceiling, wall, floor
Environment of use:	Indoor
Estimated LED lifespan:	About 50.000 hours
Warranty:	2 years

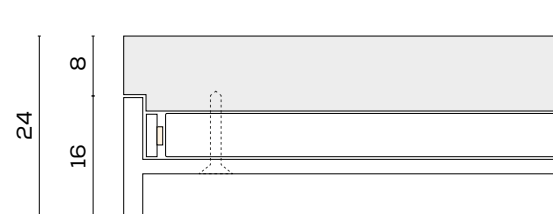
## OPTIONAL

2D shaped option:	Not available
Drillable:	On request

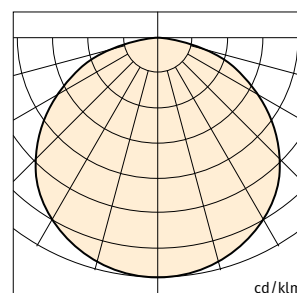
## TECHNICAL DESCRIPTION

Rigo Frame is a series of rectangular Folio products. The thickness of the section goes from 50 to 300 mm, the length up to 3 metres. Custom-made LED panel with internal transparent methacrylate plate, laser-engraved (microprisms), 10 mm opaline PMMA diffuser, fixing screws, and 16 mm aluminum case. Possibility to have a panel with single LED (LED installed on a single side) or multiple LED (LED installed on two or more sides).

## SECTION [mm]



## POLAR DIAGRAM





# RIGO FRAME 100

 FOLIO®

## APPLICATIONS

